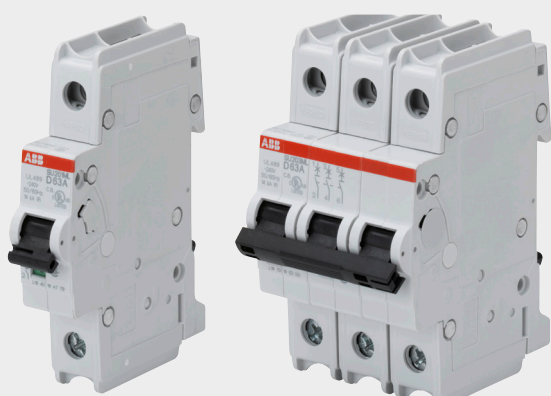


MINIATURE CIRCUIT BREAKERS

## SU200ML data sheet

Branch circuit protection acc. to CSA C22.2 No.5 / UL 489



The miniature circuit breaker SU 200 ML is ABB's solution for UL 489 branch circuit protection up to 240 Vac and 96 Vdc. This circuit breaker is an all-round device for AC and DC applications for universal use in North American and global markets due to its approvals acc. to the international standards UL, CSA and IEC. Moreover, SU200ML is fully compatible with System pro M compact® UL 489 accessories.

### Features

- High performance MCB with 14 kA interrupting capacity acc. to UL 489 / CSA 22.2 No. 5 and 15 kA breaking capacity acc. to IEC/EN 60947-2
- Certified up to  $I_n = 40$  A at 480 Y/277 V AC acc. to UL 489 / CSA 22.2 No. 5
- Certified for AC and DC use acc. to UL and CSA
- 40 °C reference temperature acc. to UL and CSA
- Current limiting acc. to UL 489
- Clear contact position indication in red/green ("real CPI")

### Standards and approvals

#### Standards

UL 489  
 CSA 22.2 No. 5  
 IEC/EN 60947-2

#### Approvals

UL 489	US
CSA 22.2 No. 5	CA
VDE	DE
CCC	CN

# Miniature Circuit Breaker SU200ML

## Technical data

1) Also fulfilling the requirement acc. to the protection degree IPXXB

<b>General Data</b>	
Standards	IEC/EN 60947-2 (Approvals: CB report, VDE, CCC) UL489, CSA 22.2 No. 5 (Approvals: UL, CSA)
Poles	1P, 2P, 3P, 4P
Tripping characteristics	C, K, Z
Rated current $I_n$	A 0.2...63 A
Rated frequency $f$	Hz 50 / 60 Hz
Rated insulation voltage $U_i$ acc. to IEC/EN 60664-1	V 440 V AC
Overvoltage category	III
Pollution degree	3
<b>Data acc. to IEC/EN 60947-2</b>	
Rated operational voltage $U_e$	V 1P: 230 V AC 2P, 3P, 4P: 400 V AC
Max. power frequency recovery voltage ( $U_{max}$ )	V 1P: 253/440 V AC 2P, 3P, 4P: 440 V AC 1P: 48 V DC; 2P: 96 V DC
Min. operating voltage	V 12 V AC, 12 V DC
Rated ultimate short-circuit breaking capacity $I_{cu}$	kA 15 kA
Rated service short-circuit breaking capacity $I_{cs}$	kA $\leq 40$ A: 11.25 kA > 40 A: 7.5 kA
Rated impulse withstand voltage $U_{imp}$ (1.2/50 $\mu$ s)	kV 4 kV (test voltage 6.2 kV at sea level, 5 kV at 2,000 m)
Dielectric test voltage	kV 2 kV (50/60 Hz, 1 min.)
Reference temperature for tripping characteristics	$^{\circ}$ C 30 $^{\circ}$ C
Electrical endurance	ops. $I_n < 30$ A: 20,000 ops (AC), $I_n \geq 30$ A: 10,000 ops. (AC); 1,000 ops. (DC); 1 cycle (2s - ON, 13s - OFF, $I_n \leq 32$ A), 1 cycle (2s - ON, 28s - OFF, $I_n > 32$ A)
<b>Data acc. to UL / CSA</b>	
Rated voltage	V 1P, 2P, 3P, 4P: 240 V AC 1P: 48 VDC; 2P: 96 V DC (2p in series)
Rated interrupting capacity acc. to UL 1077	kA -
Short-circuit current rating acc. to UL 489	kA 14 kA
Reference temperature for tripping characteristics	$^{\circ}$ C 40 $^{\circ}$ C
Electrical endurance	ops. 6,000 ops (AC), 6,000 ops. (DC); 1 cycle (1s - ON, 9s - OFF)
<b>Mechanical Data</b>	
Housing	Insulation group II, RAL 7035
Toggle	Insulation group II, black, sealable
Contact position indication	CPI (red ON / green OFF)
Protection degree acc. to EN 60529	IP20 <sup>1)</sup> , IP40 in enclosure with cover
Mechanical endurance	ops. 20,000 ops.
Shock resistance acc. to IEC/EN 60068-2-27	25 g - 2 shocks - 13 ms
Vibration resistance acc. to IEC/EN 60068-2-6	5g - 20 cycles at 5...150...5 Hz with load 0.8 $I_n$
Environmental conditions (damp heat) acc. to IEC/EN 60068-2-30	$^{\circ}$ C/RH 28 cycles with 55 $^{\circ}$ C/90-96% and 25 $^{\circ}$ C/95-100%
Ambient temperature	$^{\circ}$ C -25 ... +55 $^{\circ}$ C
Storage temperature	$^{\circ}$ C -40 ... +70 $^{\circ}$ C
<b>Installation</b>	
Terminal	Failsafe bi-directional cylinder-lift terminal
Cross-section of conductors (top / bottom)	mm <sup>2</sup> 35 mm <sup>2</sup> / 35 mm <sup>2</sup> mm <sup>2</sup> 25 mm <sup>2</sup> / 25 mm <sup>2</sup>
Flexible (if different)	AWG 18 - 4 AWG
Cross-section of busbars (top / bottom)	mm <sup>2</sup> 10 mm <sup>2</sup> / 10 mm <sup>2</sup> AWG 18 - 8 AWG
Tightening Torque	Nm 2.8 Nm in.lbs. AWG 18-16: 8.85 in-lbs. AWG 14-10: 17.7 in-lbs. AWG 8-4: 39.8 in-lbs.
Screwdriver	No. 2 Pozidrive
Mounting	On DIN rail 35 mm acc. to EN 60715 by fast clip
Mounting position	any
Supply	optional
<b>Dimensions and weight</b>	
Mounting dimensions acc. to DIN 43880	Mounting dimension 3
Pole dimensions (H x D x W)	mm 95 x 69 x 17.5 mm
Pole weight	g approx. 120 g
<b>Combination with aux. elements</b>	
Auxiliary contact	Yes
Signal contact	Yes
Shunt trip	Yes

# Miniature Circuit Breaker SU200ML

## Tripping characteristics

1) The thermal releases are calibrated to a nominal reference ambient temperature e.g. for UL 489 of 40 °C. In the case of higher ambient temperatures, the current values decrease by approx. 4 % for each 10 K temperature rise.

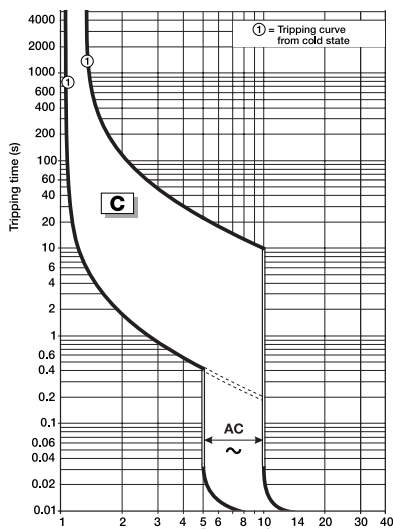
2) The indicated tripping values of electromagnetic tripping devices apply to a frequency of 50/60 Hz. The thermal release operates independent of frequency.

3) As from operating temperature (after  $I_1 > 1\text{ h}$ )

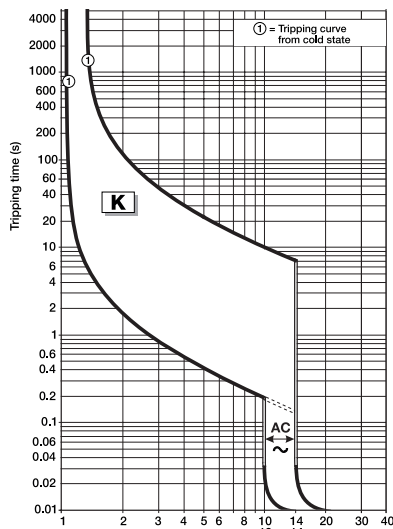
### Tripping characteristics

Acc. to	Tripping characteristics	Rated current $I_n$	Thermal release <sup>1)</sup> Currents:		Tripping time	Electromagnetic release <sup>2)</sup>	
			conventional non-tripping current $I_1$	conventional tripping current $I_2$		Range of instantaneous tripping	Tripping time
IEC/EN 60947-2	C	0.5 to 63 A	$1.05 \cdot I_n$	$1.3 \cdot I_n$	$> 1\text{ h}$ $< 1\text{ h}^{3)}$	$5 \cdot I_n$ $10 \cdot I_n$	$> 0.2\text{ s}$ $< 0.2\text{ s}$
	K	0.2 to 63 A	$1.05 \cdot I_n$	$1.3 \cdot I_n$	$> 1\text{ h}$ $< 1\text{ h}^{3)}$	$10 \cdot I_n$ $14 \cdot I_n$	$> 0.2\text{ s}$ $< 0.2\text{ s}$
	Z	0.5 to 63 A	$1.05 \cdot I_n$	$1.3 \cdot I_n$	$> 1\text{ h}$ $< 1\text{ h}^{3)}$	$2 \cdot I_n$ $3 \cdot I_n$	$> 0.2\text{ s}$ $< 0.2\text{ s}$

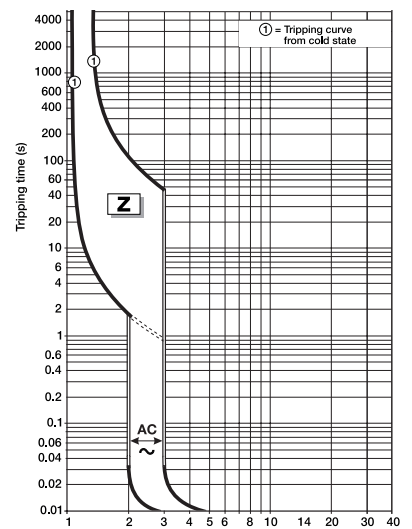
C characteristic



K characteristic



Z characteristic



# Miniature Circuit Breaker SU200ML Derating

## Deviating ambient temperature

1) Current ratings 0.2, 0.3 and 0.75 A available with K characteristic only

The rated value of the current of a miniature circuit breaker of SU 200 ML series refers to a reference ambient temperature of 30 °C acc. to IEC/EN 60947-2 and 40 °C acc. to UL/CSA. The follow-

ing tables show derating factors for ambient temperature from -40 °C to 70 °C for the characteristics C, K, Z.

### IEC derating / Reference temp: 30 °C

IEC/EN 60947-2	ambient temperature (°C)											
$I_n$ (A)	-40	-30	-20	-10	0	10	20	30	40	50	60	70
0.2 <sup>1)</sup>	0.26	0.25	0.24	0.23	0.22	0.22	0.21	0.20	0.19	0.19	0.18	0.17
0.3 <sup>1)</sup>	0.39	0.37	0.36	0.35	0.33	0.32	0.31	0.30	0.29	0.28	0.27	0.26
0.5	0.64	0.62	0.60	0.58	0.56	0.54	0.52	0.5	0.48	0.46	0.45	0.43
0.75 <sup>1)</sup>	0.97	0.93	0.90	0.87	0.84	0.81	0.78	0.75	0.72	0.70	0.67	0.65
1	1.29	1.24	1.20	1.16	1.12	1.08	1.04	1	0.96	0.93	0.89	0.86
1.6	2.11	2.02	1.95	1.87	1.80	1.73	1.66	1.6	1.54	1.47	1.42	1.36
2	2.58	2.49	2.40	2.31	2.23	2.15	2.07	2	1.93	1.85	1.79	1.72
3	3.87	3.73	3.60	3.47	3.35	3.23	3.11	3	2.89	2.78	2.68	2.58
4	5.16	4.97	4.80	4.63	4.46	4.30	4.15	4	3.85	3.71	3.57	3.44
5	6.45	6.22	6.00	5.78	5.58	5.38	5.19	5	4.82	4.64	4.47	4.30
6	7.74	7.46	7.20	6.94	6.69	6.45	6.22	6	5.78	5.56	5.36	5.16
8	10.32	9.95	9.59	9.25	8.92	8.60	8.30	8	7.70	7.42	7.14	6.88
10	12.90	12.44	11.99	11.56	11.15	10.75	10.37	10	9.63	9.27	8.93	8.60
13	16.76	16.17	15.59	15.03	14.50	13.98	13.48	13	12.52	12.06	11.61	11.18
15	19.34	18.65	17.99	17.35	16.73	16.13	15.56	15	14.45	13.91	13.40	12.90
16	20.63	19.90	19.19	18.50	17.84	17.21	16.59	16	15.41	14.84	14.29	13.76
20	25.79	24.87	23.98	23.13	22.30	21.51	20.74	20	19.26	18.55	17.86	17.20
25	32.24	31.09	29.98	28.91	27.88	26.88	25.93	25	24.08	23.18	22.33	21.50
30	38.69	37.31	35.98	34.69	33.45	32.26	31.11	30	28.89	27.82	26.79	25.80
32	41.27	39.79	38.37	37.01	35.69	34.41	33.18	32	30.82	29.68	28.58	27.52
35	45.14	43.53	41.97	40.47	39.03	37.64	36.30	35	33.71	32.46	31.26	30.10
40	51.58	49.74	47.97	46.26	44.61	43.01	41.48	40	38.52	37.09	35.72	34.40
50	64.48	62.18	59.96	57.82	55.76	53.77	51.85	50	48.15	46.37	44.65	43.00
60	77.38	74.61	71.95	69.39	66.91	64.52	62.22	60	57.78	55.64	53.58	51.60
63	81.24	78.35	75.55	72.85	70.25	67.75	65.33	63	61	58	56	54

### UL derating / Reference temp: 40 °C

UL 489	ambient temperature (°C)											
$I_n$ (A)	-40	-30	-20	-10	0	10	20	30	40	50	60	70
0.2 <sup>1)</sup>	0.27	0.26	0.25	0.24	0.23	0.22	0.22	0.21	0.20	0.19	0.19	0.18
0.3 <sup>1)</sup>	0.40	0.39	0.37	0.36	0.35	0.33	0.32	0.31	0.30	0.29	0.28	0.27
0.5	0.67	0.64	0.62	0.60	0.58	0.56	0.54	0.52	0.5	0.48	0.46	0.45
0.75 <sup>1)</sup>	1.00	0.97	0.93	0.90	0.87	0.84	0.81	0.78	0.75	0.72	0.70	0.67
1	1.34	1.29	1.24	1.20	1.16	1.12	1.08	1.04	1	0.96	0.93	0.89
1.6	2.14	2.07	1.99	1.92	1.85	1.78	1.72	1.66	1.6	1.54	1.49	1.43
2	2.67	2.58	2.49	2.40	2.31	2.23	2.15	2.07	2	1.93	1.85	1.79
3	4.01	3.87	3.73	3.60	3.47	3.35	3.23	3.11	3	2.89	2.78	2.68
4	5.35	5.16	4.97	4.80	4.63	4.46	4.30	4.15	4	3.85	3.71	3.57
5	6.69	6.45	6.22	6.00	5.78	5.58	5.38	5.19	5	4.82	4.64	4.47
6	8.02	7.74	7.46	7.20	6.94	6.69	6.45	6.22	6	5.78	5.56	5.36
8	10.70	10.32	9.95	9.59	9.25	8.92	8.60	8.30	8	7.70	7.42	7.14
10	13.37	12.90	12.44	11.99	11.56	11.15	10.75	10.37	10	9.63	9.27	8.93
13	17.38	16.76	16.17	15.59	15.03	14.50	13.98	13.48	13	12.52	12.06	11.61
15	20.06	19.34	18.65	17.99	17.35	16.73	16.13	15.56	15	14.45	13.91	13.40
16	21.40	20.63	19.90	19.19	18.50	17.84	17.21	16.59	16	15.41	14.84	14.29
20	26.75	25.79	24.87	23.98	23.13	22.30	21.51	20.74	20	19.26	18.55	17.86
25	33.43	32.24	31.09	29.98	28.91	27.88	26.88	25.93	25	24.08	23.18	22.33
30	40.12	38.69	37.31	35.98	34.69	33.45	32.26	31.11	30	28.89	27.82	26.79
32	42.79	41.27	39.79	38.37	37.01	35.69	34.41	33.18	32	30.82	29.68	28.58
35	46.81	45.14	43.53	41.97	40.47	39.03	37.64	36.30	35	33.71	32.46	31.26
40	53.49	51.58	49.74	47.97	46.26	44.61	43.01	41.48	40	38.52	37.09	35.72
50	66.87	64.48	62.18	59.96	57.82	55.76	53.77	51.85	50	48.15	46.37	44.65
60	80.24	77.38	74.61	71.95	69.39	66.91	64.52	62.22	60	57.78	55.64	53.58
63	84.25	81.24	78.35	75.55	72.85	70.25	67.75	65.33	63	60.67	58.42	56.26

## Miniature Circuit Breaker SU200ML Derating

Influence of adjacent devices, internal resistance and power loss

### Influence of adjacent devices

If several miniature circuit breakers are installed directly side by side with high load on all poles, a correction factor has to be applied to the rated current (see table). If distance pieces are used, the factor is not to be considered.

No. of adjacent devices	Factor F
1	1
2, 3	0.9
4, 5	0.8
≥ 6	0.75

### Internal resistance and power loss per pole

Rated current $I_n$ [A]	C, K characteristics		Z characteristic	
	Internal resistance per pole $R_i$ [mOhm]	Power loss $P_v$ [W]	Internal resistance per pole $R_i$ [mOhm]	Power loss $P_v$ [W]
0.2	42500	1.7	–	–
0.3	18889	1.7	–	–
0.5	5600	1.4	9000	2.3
0.75	2489	1.4	–	–
1	1400	1.4	2200	2.2
1.6	703	1.8	1000	2.6
2	450	1.8	650	2.6
3	178	1.6	250	2.3
4	113	1.8	140	2.2
5	50	1.3	100	2.5
6	56	2.0	70	2.5
8	23	1.5	28	1.8
10	21	2.1	21	2.1
13	14	2.3	17	2.9
15	11	2.4	13	2.9
16	9.8	2.5	10	2.6
20	6.3	2.5	6.5	2.6
25	5.1	3.2	5.1	3.2
30	3.9	3.5	3.9	3.5
32	3.6	3.7	3.6	3.7
35	3.3	4.1	3.3	4.1
40	2.8	4.5	2.8	4.5
50	1.8	4.5	1.8	4.5
60	1.4	4.9	1.4	4.9
63	1.4	5.4	1.4	5.4

Internal resistances are subject to application specific and environment-specific conditions and are therefore to be considered as typical values.

### Current limiting – $I_{peak}$ and $I^2t$ values acc. to UL 489

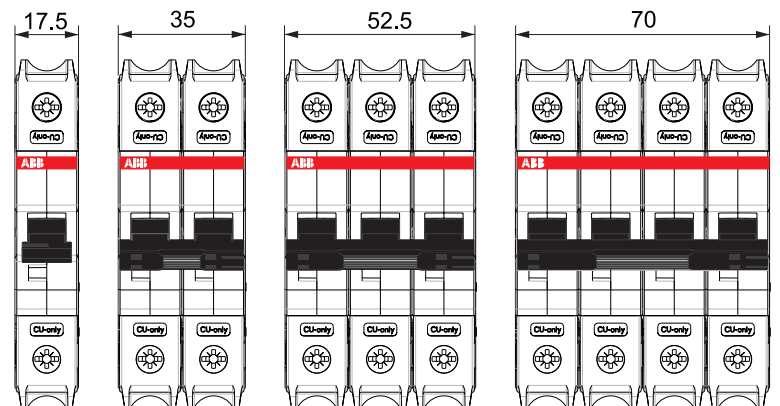
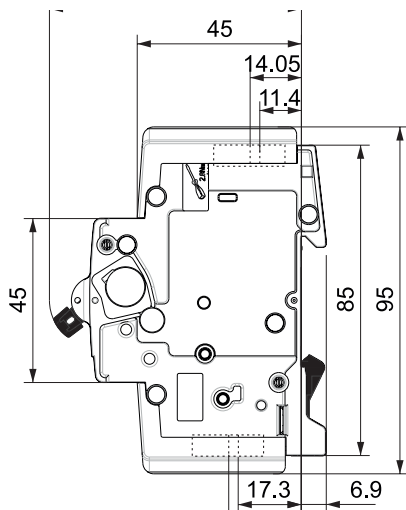
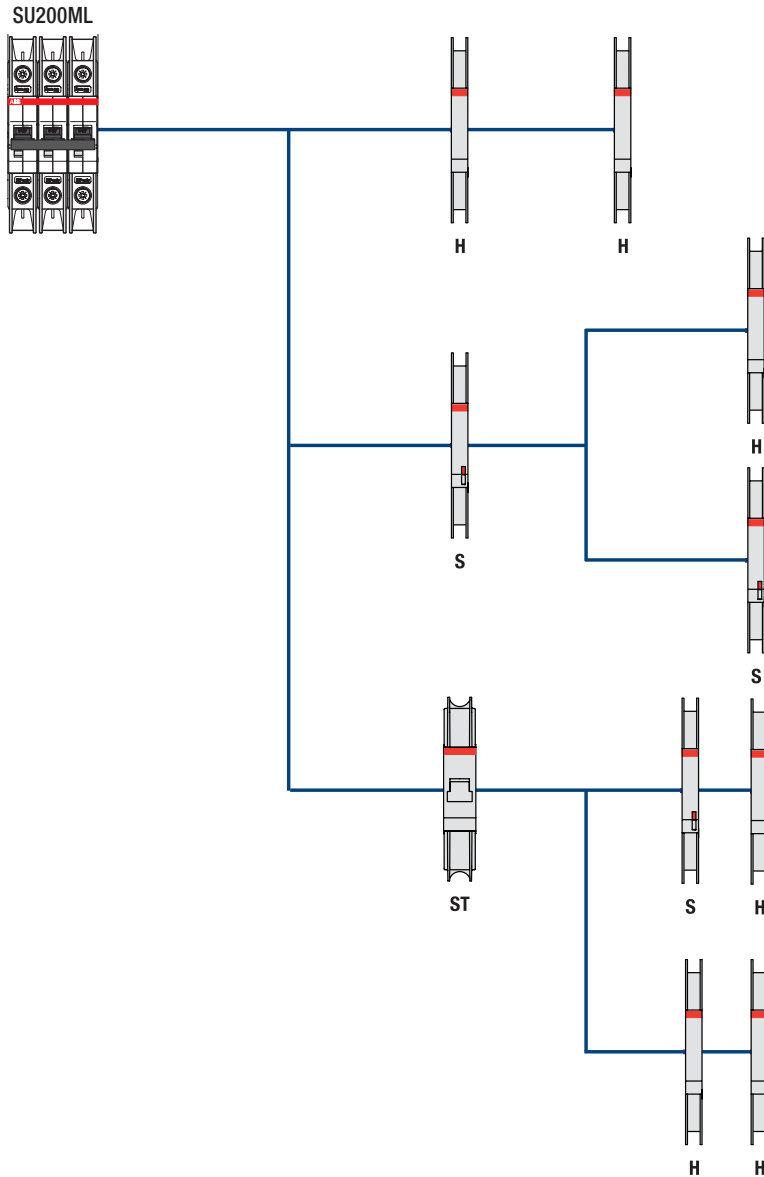
Characteristic	Nominal current [A]	Voltage [V]	Current [A]	Power Factor	$I_{peak}$ [kA]	$I^2t$ [kA <sup>2</sup> S]
K, C, Z	≤ 40	240	14000	0.25 - 0.3	9.0	80
	> 40	240	14000	0.25 - 0.3	10.0	140
K, C, Z	≤ 40	240	10000	0.45 - 0.5	7.0	60
	> 40	240	10000	0.45 - 0.5	8.0	90
K, C, Z	≤ 40	240	4000	0.45 - 0.5	4.0	25
	> 40	240	4000	0.45 - 0.5	5.0	40

# Miniature Circuit Breaker SU200ML

## Accessory overview and dimensional drawing

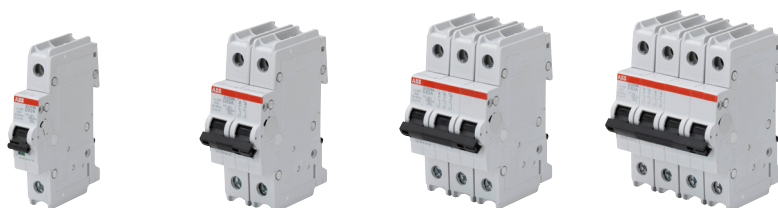
- H:**  
Auxiliary contact  
(S2C-H6RU)  
(change-over contact)
- S/H:**  
Signal contact  
(S2C-S6RU)
- ST:**  
Shunt trip  
(S2C-A...U)

The certification of the accessories has been done with one accessory only. The number of electrical operations is limited to 4,000 operations for the maximum combinations and the combinations including shunt trips.



## Miniature Circuit Breaker SU200ML

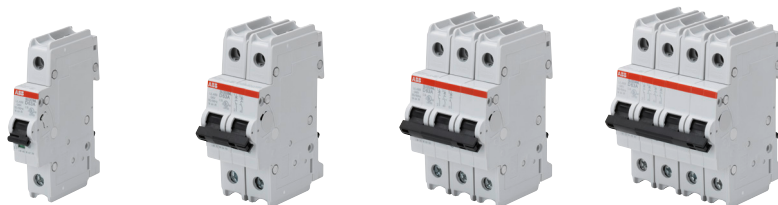
Ordering data characteristic C



Type	Rated Current	1 pole Part number	2 poles Part number	3 poles Part number	4 poles Part number
SU200ML-C	0.5 A	SU201ML-C0.5	SU202ML-C0.5	SU203ML-C0.5	SU204ML-C0.5
	1.0 A	SU201ML-C1	SU202ML-C1	SU203ML-C1	SU204ML-C1
	1.6 A	SU201ML-C1.6	SU202ML-C1.6	SU203ML-C1.6	SU204ML-C1.6
	2.0 A	SU201ML-C2	SU202ML-C2	SU203ML-C2	SU204ML-C2
	3.0 A	SU201ML-C3	SU202ML-C3	SU203ML-C3	SU204ML-C3
	4.0 A	SU201ML-C4	SU202ML-C4	SU203ML-C4	SU204ML-C4
	5.0 A	SU201ML-C5	SU202ML-C5	SU203ML-C5	SU204ML-C5
	6.0 A	SU201ML-C6	SU202ML-C6	SU203ML-C6	SU204ML-C6
	7.0 A	SU201ML-C7	SU202ML-C7	SU203ML-C7	SU204ML-C7
	8.0 A	SU201ML-C8	SU202ML-C8	SU203ML-C8	SU204ML-C8
	10.0 A	SU201ML-C10	SU202ML-C10	SU203ML-C10	SU204ML-C10
	13.0 A	SU201ML-C13	SU202ML-C13	SU203ML-C13	SU204ML-C13
	15.0 A	SU201ML-C15	SU202ML-C15	SU203ML-C15	SU204ML-C15
	16.0 A	SU201ML-C16	SU202ML-C16	SU203ML-C16	SU204ML-C16
	20.0 A	SU201ML-C20	SU202ML-C20	SU203ML-C20	SU204ML-C20
	25.0 A	SU201ML-C25	SU202ML-C25	SU203ML-C25	SU204ML-C25
	30.0 A	SU201ML-C30	SU202ML-C30	SU203ML-C30	SU204ML-C30
	32.0 A	SU201ML-C32	SU202ML-C32	SU203ML-C32	SU204ML-C32
	35.0 A	SU201ML-C35	SU202ML-C35	SU203ML-C35	SU204ML-C35
	40.0 A	SU201ML-C40	SU202ML-C40	SU203ML-C40	SU204ML-C40
	50.0 A	SU201ML-C50	SU202ML-C50	SU203ML-C50	SU204ML-C50
	60.0 A	SU201ML-C60	SU202ML-C60	SU203ML-C60	SU204ML-C60
	63.0 A	SU201ML-C63	SU202ML-C63	SU203ML-C63	SU204ML-C63

## Miniature Circuit Breaker SU200ML

Ordering data characteristic K

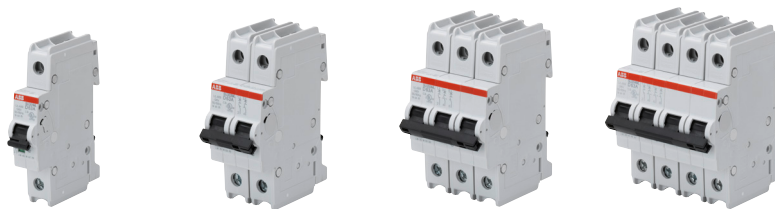


Type	Rated Current	1 pole Part number	2 poles Part number	3 poles Part number	4 poles Part number
SU200ML-K	0.2 A	SU201ML-K0.2	SU202ML-K0.2	SU203ML-K0.2	SU204ML-K0.2
	0.3 A	SU201ML-K0.3	SU202ML-K0.3	SU203ML-K0.3	SU204ML-K0.3
	0.5 A	SU201ML-K0.5	SU202ML-K0.5	SU203ML-K0.5	SU204ML-K0.5
	0.75 A	SU201ML-K0.75	SU202ML-K0.75	SU203ML-K0.75	SU204ML-K0.75
	1.0 A	SU201ML-K1	SU202ML-K1	SU203ML-K1	SU204ML-K1
	1.6 A	SU201ML-K1.6	SU202ML-K1.6	SU203ML-K1.6	SU204ML-K1.6
	2.0 A	SU201ML-K2	SU202ML-K2	SU203ML-K2	SU204ML-K2
	3.0 A	SU201ML-K3	SU202ML-K3	SU203ML-K3	SU204ML-K3
	4.0 A	SU201ML-K4	SU202ML-K4	SU203ML-K4	SU204ML-K4
	5.0 A	SU201ML-K5	SU202ML-K5	SU203ML-K5	SU204ML-K5
	6.0 A	SU201ML-K6	SU202ML-K6	SU203ML-K6	SU204ML-K6
	7.0 A	SU201ML-K7	SU202ML-K7	SU203ML-K7	SU204ML-K7
	8.0 A	SU201ML-K8	SU202ML-K8	SU203ML-K8	SU204ML-K8
	10.0 A	SU201ML-K10	SU202ML-K10	SU203ML-K10	SU204ML-K10
	13.0 A	SU201ML-K13	SU202ML-K13	SU203ML-K13	SU204ML-K13
	15.0 A	SU201ML-K15	SU202ML-K15	SU203ML-K15	SU204ML-K15
	16.0 A	SU201ML-K16	SU202ML-K16	SU203ML-K16	SU204ML-K16
	20.0 A	SU201ML-K20	SU202ML-K20	SU203ML-K20	SU204ML-K20
	25.0 A	SU201ML-K25	SU202ML-K25	SU203ML-K25	SU204ML-K25
	30.0 A	SU201ML-K30	SU202ML-K30	SU203ML-K30	SU204ML-K30
32.0 A	SU201ML-K32	SU202ML-K32	SU203ML-K32	SU204ML-K32	
35.0 A	SU201ML-K35	SU202ML-K35	SU203ML-K35	SU204ML-K35	
40.0 A	SU201ML-K40	SU202ML-K40	SU203ML-K40	SU204ML-K40	
50.0 A	SU201ML-K50	SU202ML-K50	SU203ML-K50	SU204ML-K50	
60.0 A	SU201ML-K60	SU202ML-K60	SU203ML-K60	SU204ML-K60	
63.0 A	SU201ML-K63	SU202ML-K63	SU203ML-K63	SU204ML-K63	



## Miniature Circuit Breaker SU200ML

Ordering data characteristic Z



Type	Rated Current	1 pole Part number	2 poles Part number	3 poles Part number	4 poles Part number
SU200ML-Z	0.5 A	SU201ML-Z0.5	SU202ML-Z0.5	SU203ML-Z0.5	SU204ML-Z0.5
	1.0 A	SU201ML-Z1	SU202ML-Z1	SU203ML-Z1	SU204ML-Z1
	1.6 A	SU201ML-Z1.6	SU202ML-Z1.6	SU203ML-Z1.6	SU204ML-Z1.6
	2.0 A	SU201ML-Z2	SU202ML-Z2	SU203ML-Z2	SU204ML-Z2
	3.0 A	SU201ML-Z3	SU202ML-Z3	SU203ML-Z3	SU204ML-Z3
	4.0 A	SU201ML-Z4	SU202ML-Z4	SU203ML-Z4	SU204ML-Z4
	5.0 A	SU201ML-Z5	SU202ML-Z5	SU203ML-Z5	SU204ML-Z5
	6.0 A	SU201ML-Z6	SU202ML-Z6	SU203ML-Z6	SU204ML-Z6
	7.0 A	SU201ML-Z7	SU202ML-Z7	SU203ML-Z7	SU204ML-Z7
	8.0 A	SU201ML-Z8	SU202ML-Z8	SU203ML-Z8	SU204ML-Z8
	10.0 A	SU201ML-Z10	SU202ML-Z10	SU203ML-Z10	SU204ML-Z10
	13.0 A	SU201ML-Z13	SU202ML-Z13	SU203ML-Z13	SU204ML-Z13
	15.0 A	SU201ML-Z15	SU202ML-Z15	SU203ML-Z15	SU204ML-Z15
	16.0 A	SU201ML-Z16	SU202ML-Z16	SU203ML-Z16	SU204ML-Z16
	20.0 A	SU201ML-Z20	SU202ML-Z20	SU203ML-Z20	SU204ML-Z20
	25.0 A	SU201ML-Z25	SU202ML-Z25	SU203ML-Z25	SU204ML-Z25
	30.0 A	SU201ML-Z30	SU202ML-Z30	SU203ML-Z30	SU204ML-Z30
	32.0 A	SU201ML-Z32	SU202ML-Z32	SU203ML-Z32	SU204ML-Z32
	35.0 A	SU201ML-Z35	SU202ML-Z35	SU203ML-Z35	SU204ML-Z35
	40.0 A	SU201ML-Z40	SU202ML-Z40	SU203ML-Z40	SU204ML-Z40
50.0 A	SU201ML-Z50	SU202ML-Z50	SU203ML-Z50	SU204ML-Z50	
60.0 A	SU201ML-Z60	SU202ML-Z60	SU203ML-Z60	SU204ML-Z60	
63.0 A	SU201ML-Z63	SU202ML-Z63	SU203ML-Z63	SU204ML-Z63	

## Miniature Circuit Breaker SU200ML

Ordering data characteristic Z



Type	Rated Current	1 pole Part number	2 poles Part number	3 poles Part number	4 poles Part number
<b>SU200ML-Z</b>	<b>0.5 A</b>	SU201ML-Z0.5	SU202ML-Z0.5	SU203ML-Z0.5	SU204ML-Z0.5
	<b>1.0 A</b>	SU201ML-Z1	SU202ML-Z1	SU203ML-Z1	SU204ML-Z1
	<b>1.6 A</b>	SU201ML-Z1.6	SU202ML-Z1.6	SU203ML-Z1.6	SU204ML-Z1.6
	<b>2.0 A</b>	SU201ML-Z2	SU202ML-Z2	SU203ML-Z2	SU204ML-Z2
	<b>3.0 A</b>	SU201ML-Z3	SU202ML-Z3	SU203ML-Z3	SU204ML-Z3
	<b>4.0 A</b>	SU201ML-Z4	SU202ML-Z4	SU203ML-Z4	SU204ML-Z4
	<b>5.0 A</b>	SU201ML-Z5	SU202ML-Z5	SU203ML-Z5	SU204ML-Z5
	<b>6.0 A</b>	SU201ML-Z6	SU202ML-Z6	SU203ML-Z6	SU204ML-Z6
	<b>7.0 A</b>	SU201ML-Z7	SU202ML-Z7	SU203ML-Z7	SU204ML-Z7
	<b>8.0 A</b>	SU201ML-Z8	SU202ML-Z8	SU203ML-Z8	SU204ML-Z8
	<b>10.0 A</b>	SU201ML-Z10	SU202ML-Z10	SU203ML-Z10	SU204ML-Z10
	<b>13.0 A</b>	SU201ML-Z13	SU202ML-Z13	SU203ML-Z13	SU204ML-Z13
	<b>15.0 A</b>	SU201ML-Z15	SU202ML-Z15	SU203ML-Z15	SU204ML-Z15
	<b>16.0 A</b>	SU201ML-Z16	SU202ML-Z16	SU203ML-Z16	SU204ML-Z16
	<b>20.0 A</b>	SU201ML-Z20	SU202ML-Z20	SU203ML-Z20	SU204ML-Z20
	<b>25.0 A</b>	SU201ML-Z25	SU202ML-Z25	SU203ML-Z25	SU204ML-Z25
	<b>30.0 A</b>	SU201ML-Z30	SU202ML-Z30	SU203ML-Z30	SU204ML-Z30
	<b>32.0 A</b>	SU201ML-Z32	SU202ML-Z32	SU203ML-Z32	SU204ML-Z32
	<b>35.0 A</b>	SU201ML-Z35	SU202ML-Z35	SU203ML-Z35	SU204ML-Z35
	<b>40.0 A</b>	SU201ML-Z40	SU202ML-Z40	SU203ML-Z40	SU204ML-Z40
<b>50.0 A</b>	SU201ML-Z50	SU202ML-Z50	SU203ML-Z50	SU204ML-Z50	
<b>60.0 A</b>	SU201ML-Z60	SU202ML-Z60	SU203ML-Z60	SU204ML-Z60	
<b>63.0 A</b>	SU201ML-Z63	SU202ML-Z63	SU203ML-Z63	SU204ML-Z63	

**ABB - Campus Montréal.**  
800 Hymus Boulevard  
Saint-Laurent, Quebec, Canada  
H4S 0B5  
Phone: +1-438-843-6000  
Toll Free: +1-888-856-6266

[abb.com/lowvoltage](http://abb.com/lowvoltage)

We reserve the right to make technical changes or modify the contents of this document without prior notice. With regard to purchase orders, the agreed particulars shall prevail. ABB AG does not accept any responsibility whatsoever for potential errors or possible lack of information in this document.

We reserve all rights in this document and in the subject matter and illustrations contained therein. Any reproduction, disclosure to third parties or utilization of its contents – in whole or in parts – is forbidden without prior written consent of ABB AG. Copyright© 2019 ABB  
All rights reserved