

WIRING		
FEM #1	MALE	FEM #2
1	1	1
N/A	2	4
3	3	3
4	4	N/A

REVISIONS			
REV.	DESCRIPTION	DATE	APPROVED
A	INITIAL RELEASE	8/11/2004	

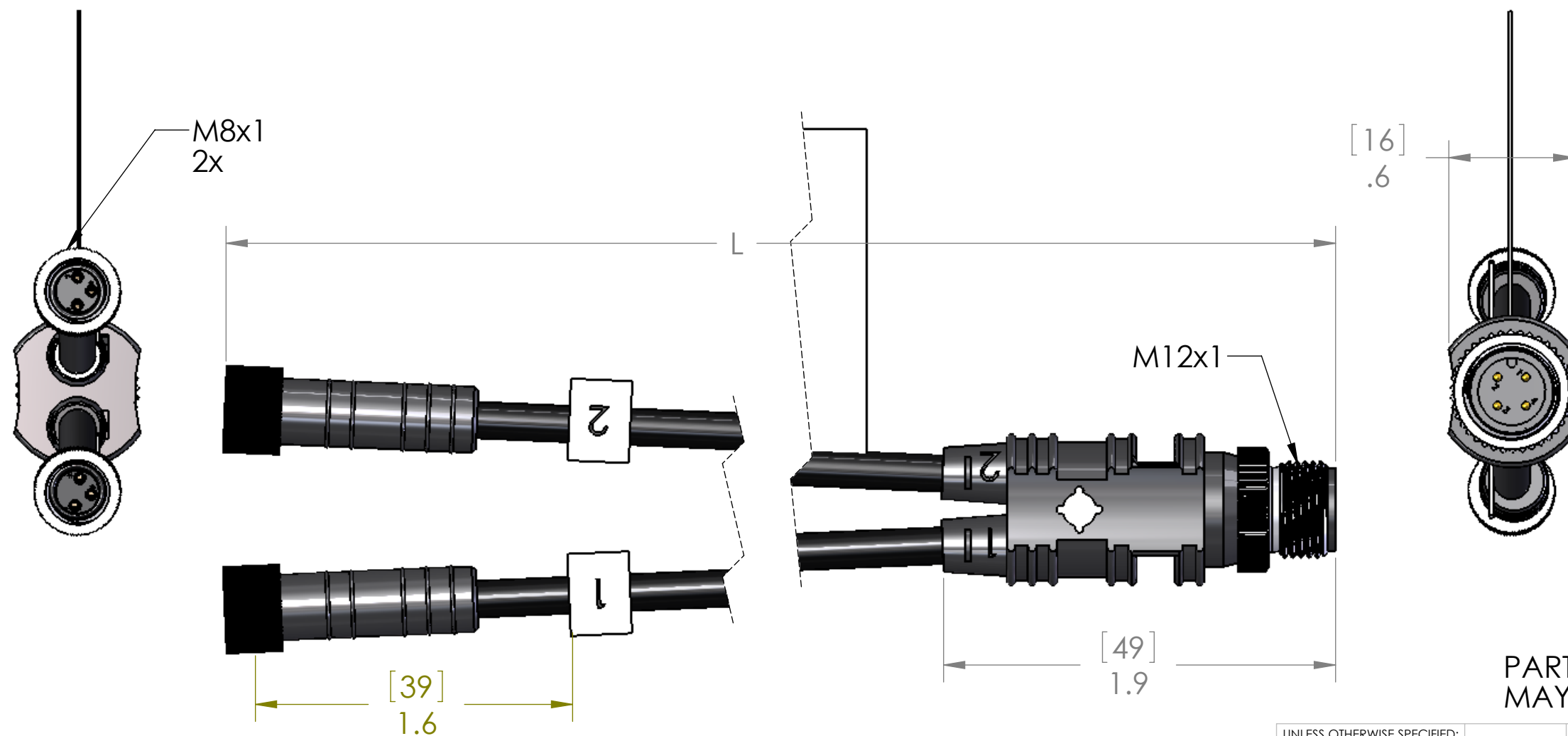


TABLE A		
P/N	L	STD?
MDNT-3YFF-0.3M	12"	NO
MDNT-3YFF-0.5M	19"	YES
MDNT-3YFF-0.6M	24"	NO
MDNT-3YFF-1M	40"	YES
MDNT-3YFF-1.5M	59"	NO
MDNT-3YFF-2M	79"	YES
MDNT-3YFF-3M	118"	NO
MDNT-3YFF-4M	157"	NO
MDNT-3YFF-5M	197"	YES
MDNT-3YFF-6M	236"	NO
MDNT-3YFF-8M	315"	NO
MDNT-3YFF-10M	393"	NO

PARTS LISTED AS NOT BEING STANDARD  
MAY REQUIRE MINIMUM ORDERS

**PROPRIETARY AND CONFIDENTIAL**  
THE INFORMATION CONTAINED IN THIS DRAWING IS THE SOLE PROPERTY OF MENCOM CORPORATION. ANY REPRODUCTION IN PART OR AS A WHOLE WITHOUT THE WRITTEN PERMISSION OF MENCOM CORPORATION IS PROHIBITED.

VOLTS	60V
AMPS	4A
UL?	NO

SPECIFICATIONS

UNLESS OTHERWISE SPECIFIED:  
DIMENSIONS ARE IN INCHES  
TOLERANCES:  
FRACTIONAL ± 1/64  
ANGULAR: MACH ± 5° BEND ± 5°  
ZERO PLACE DECIMAL ± .5  
ONE PLACE DECIMAL ± .1  
TWO PLACE DECIMAL ± .01  
THREE PLACE DECIMAL ± .004

MATERIAL

FINISH

DO NOT SCALE DRAWING

NAME
DRAWN
CHECKED
ENG APPR.
MFG APPR.
Q.A.
COMMENTS:

NAME  
BEM

MENCOM CORPORATION

TITLE:

SIZE	DWG. NO.	REV
<b>B</b>	MDNT-3YFF-ZZ	<b>B</b>

SCALE: 1.5:1 WEIGHT:

SHEET 1 OF 1