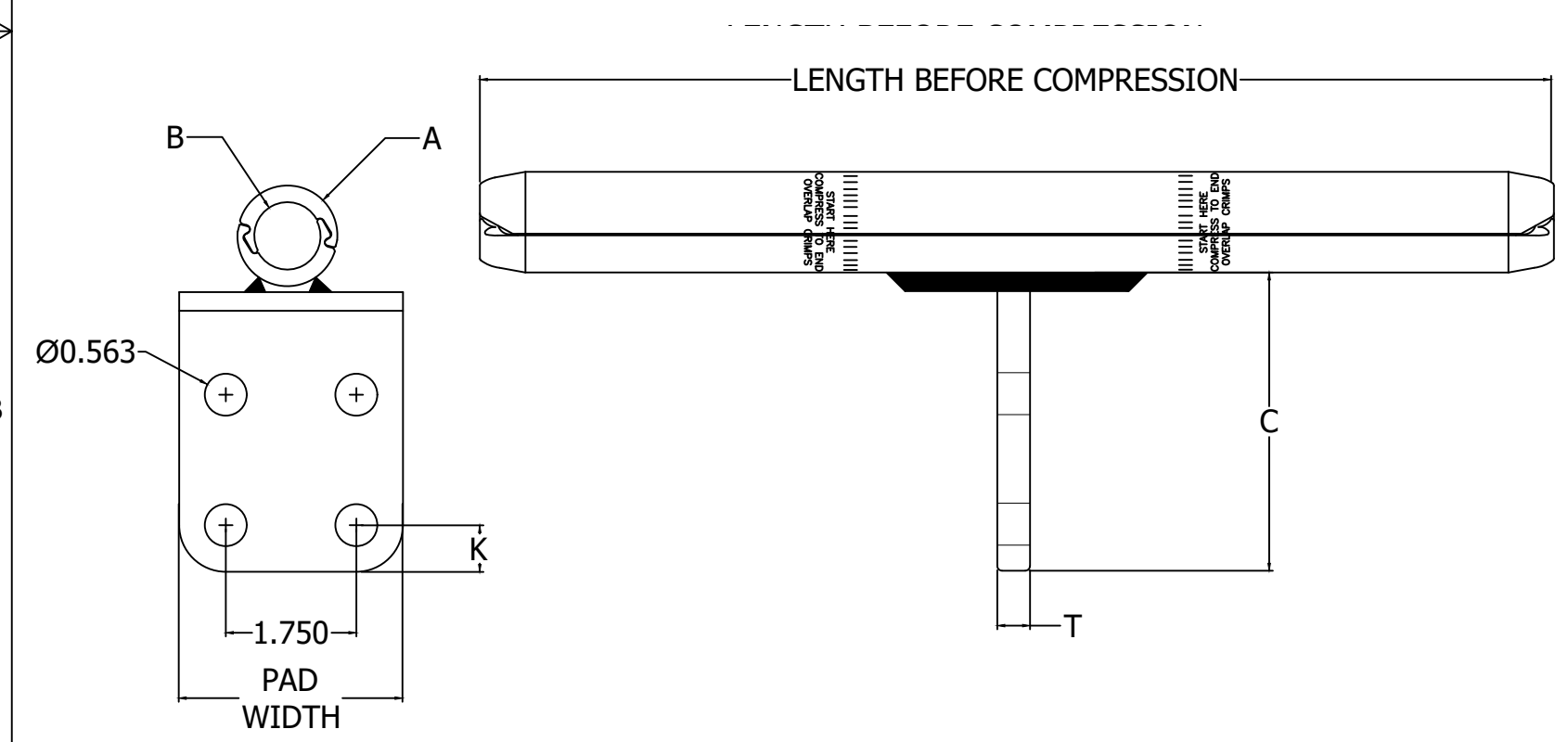
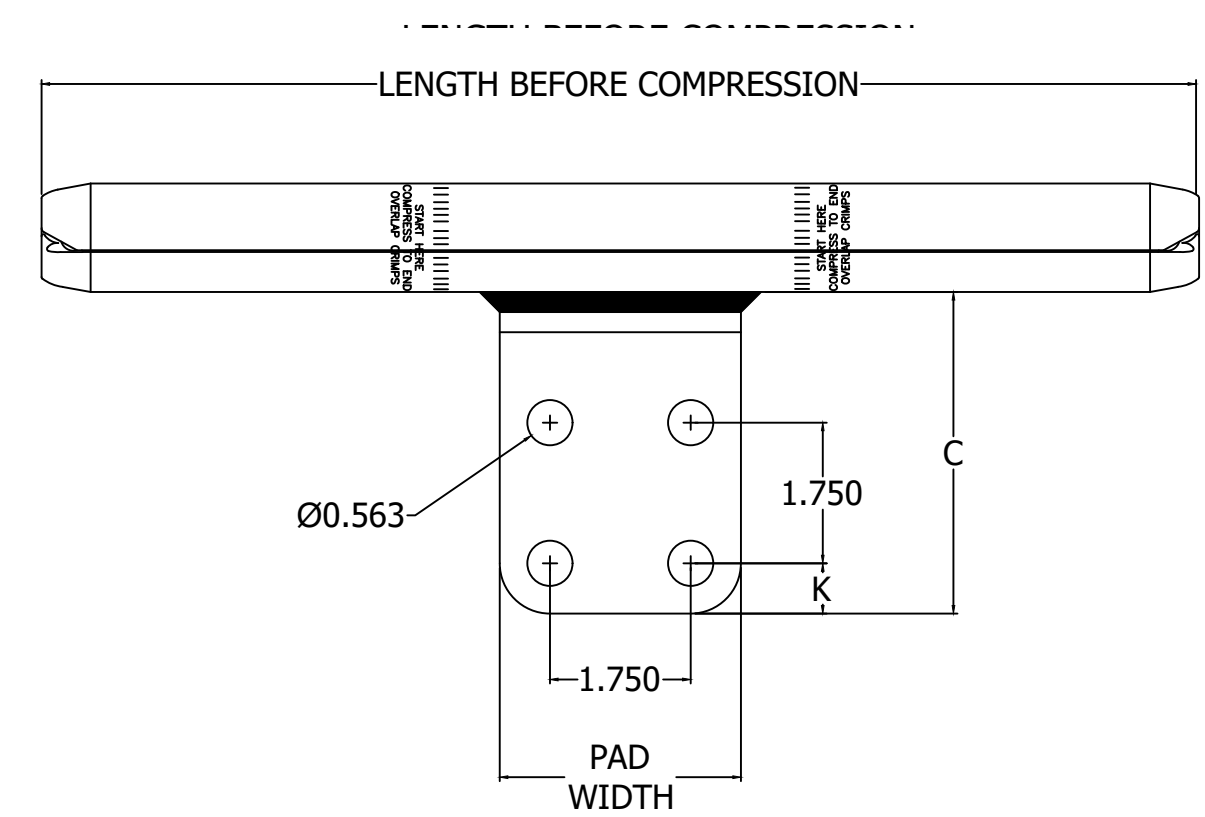


FARGO CATALOG NUMBER	CONDUCTOR RANGE			A	B	C	K	T	PAD DETAILS		LENGTH BEFORE COMPRESSION	DIE SIZE	MIN. PRESS. (TONS)
	O.D.	AAC SIZE KCMIL	ACSR SIZE KCMIL (STR)						BOLT HOLES	WIDTH			
ORT2107 ORT2107C	0.595-0.679	300, 336.4, 350	266.8 (18/1) (6/7) (26/7)	1.05	0.70	3.875	0.62	0.625	2	2.0	11.3	07CD	12
ORT2108 ORT2108C	0.680-0.765	350, 397.5, 400	336.4 (18/1) (26/7) (30/7), 397.5 (18/1)	1.20	0.80	3.875	0.62	0.625	2	2.0	12.7	08CD 76AH	12
ORT2109 ORT2109C	0.766-0.855	450, 477, 500, 550	397.5 (24/7) (26/7) (30/7), 477 (18/1) (24/7)	1.35	0.90	3.875	0.62	0.625	4	3.0	13.4		
ORT2110 ORT2110C	0.856-0.950	556.5, 600, 636, 650	477 (26/7) (30/7), 556.5 (18/1) (24/7) (26/7), 636 (18/1) (36/1)	1.50	1.00	3.875	0.62	0.625	2	2.0	14.3	10CD 24AH	60
ORT2111	0.950-1.045	700, 715.5, 750	556.5 (30/7), 605 (24/7) (26/7) (30/19), 636 (18/1) (30/19), 666 (24/7) (26/7), 715.5 (24/7)	1.65	1.10	3.875	0.62	0.625	4	3.0	16.3		
ORT2112 ORT2112D	1.026-1.131	795, 800, 874.5, 900, 954	715.5 (24/7) (26/7) (30/19), 795 (24/7) (26/7) (45/7) (54/7) (36/1), 900 (45/7)	1.80	1.20	3.875	0.62	0.625	4	3.0	17.3	12CD	60
ORT2113	1.140-1.235	1000, 1033.5	795 (30/19)	1.95	1.30	3.875	0.62	0.625		4.0	18.3		
ORT2113D		1100, 1113	900 (54/7), 954 (45/7) (54/7), 1033.5 (36/1) (45/7)			4.625	1.12	0.500	4.0	19.5	13CD		
ORT2114 ORT2114D	1.236-1.330	1192.5, 1200, 1250, 1272, 1300	954 (30/19), 1033.5 (54/7), 1113 (45/7) (54/19), 1192.5 (45/7)	2.10	1.40	3.875	0.62	0.625	4	3.0	19.8	14CD 34AH	60
ORT2115 ORT2115D	1.331-1.425	1351.5, 1400, 1431, 1500, 1510.5	1192.5 (54/19), 1272 (45/7) (54/19), 1351.5 (45/7) (54/19)	2.25	1.50	3.875	0.62	0.625		4.0	20.8		
ORT2116 ORT2116D	1.426-1.520	1590, 1600, 1700	1431 (45/7) (54/19), 1510.5 (45/7) (54/19), 1590 (45/7)	2.40	1.60	3.875	0.62	0.625	4	3.0	20.7	15CD 36AH	60
ORT2117	1.521-1.615	1750, 1800, 1900	1590 (54/19), 1780 (84/19), 1869 (68/7)	2.55	1.70	3.875	0.62	0.625		4.0	21.7		
ORT2119	1.630-1.805	2000, 2250, 2300	2034.5 (72/7), 2057 (76/19), 2167 (72/7)	2.85	1.90	4.625	1.12	0.500	4	4.0	23.5	17CD 40AH	60
		--	2156 (84/19), 2312 (76/19)									19CD 44AH	
											25.4	19CD	100



90 DEGREE ORIENTATION



STANDARD ORIENTATION

NOTES:

- MATERIAL: BARREL - EXTRUDED ALUMINUM ALLOY  
PAD - CAST ALUMINUM ALLOY
- DIMENSIONS IN INCHES
- MARKING:  
SAC: X.XXX-X.XXX  
COMP/TW: X.XXX-X.XXX  
DIE SIZE: XXCD OR XXAH  
XX TON PRESS MIN  
(CURRENT DATE) FARGO  
(PART NUMBER)
- TO HAVE THE PAD ROTATED 90 DEGREES, ADD "90" TO THE END OF THE CATALOG EX) ORT211690



80297	11/05/2019	HG	HG	PTB
EC #	DATE	CHG BY	CKD BY	APPD BY

DESC OF DWG:  
UPDATED 'C' AND 'T'  
--  
--  
--  
REASON (S) FOR CHANGE:  
DISPOSITION OF MAT'L: --

THIRD ANGLE PROJECTION  
CONFIDENTIAL: THIS DRAWING AND ITS CONTENTS ARE CONFIDENTIAL AND THE EXCLUSIVE PROPERTY OF HUBBELL POWER SYSTEMS. NO PUBLICATION, DISTRIBUTION, OR COPIES MAY BE MADE WITHOUT THE WRITTEN CONSENT OF HUBBELL POWER SYSTEMS. HUBBELL POWER SYSTEMS. UNPUBLISHED ALL RIGHTS RESERVED UNDER THE COPYRIGHT LAWS.

**HUBBELL POWER SYSTEMS**

TITLE: 21 SERIES, TEE TAP CABLE-PAD, OPEN RUN

CATALOG NUMBER: ORT21

SIZE	DWG NO.	PART / ASSY NO.	REV
C	CC-21493	SEE TABLE	03

SCALE: NS    DRN BY: JLB    DATE: 10/16/13    SHEET 1 OF 1