



# HKBX SERIES

3-5/8" (92mm) diameter viewing window while maintaining the compact body diameter of 5" (127mm)

Recessed cross notches for wrenching when required

Smooth die cast finish with gray powder paint for an aesthetically pleasing look to a OEM product - other colors available - contact factory.

Large recess grip slots for opening and closing of cover even while wearing heavy gloves.

Die cast from 413 aluminum alloy, copper free and low magnesium content.

Cover locking set screw standard in all covers. Prevents tampering and unauthorized access to the internal components.

Internal pad for additional openings through the back wall can be drilled and tapped; 1/2" NPT or NPSM, 3/4" NPT or NPSM, M20, M25

Large "X" pad which will accept any diameter bolt circle

Large straight internal opening, 4-1/4" (108mm) diameter with a full depth - no wasted space

Standard with three 3/4 NPTs openings. Optional sizes, 3/4" NPSM and M25 can be special ordered.

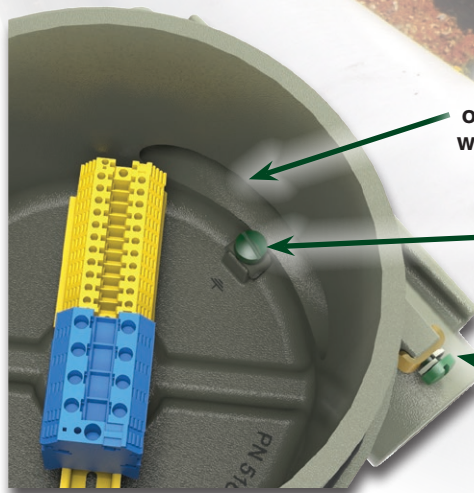
O-ring gasket for a Type 3, 4 IP66 environment rating

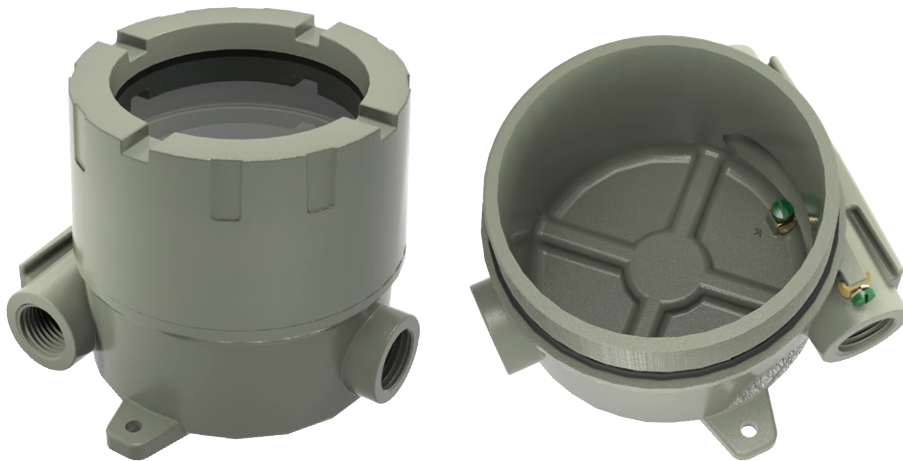
Large wire way opening for ease of wire pull in the field.

Mounting lugs with 1/4" (6.3mm) dia. mounting holes supplied as a standard

Anti-turn Internal Ground Screw Assembly Standard

Anti-turn external Ground Screw Assembly Standard





**HKBX**  
Empty Enclosure

**NEC / CEC Certifications**

Class I, Groups A, B, C & D

Class I, Zone 1, AEx db IIC

Class II, Groups E, F & G

Class III

Type 3, 4, 4X

Ta = -60°C to +70°C (UL & CSA)

Ta = -20°C to +40°C (FM)



Files E83969 E150827



File LR11716 - 1750685

**ATEX / IEC Ex Certificate**



II 2 G D CE 2813

Ex db IIC Gb

Ex tb IIIC Db IP66

Ta = -60°C to +70°C

DEMKO 01ATEX 15742U

IECEX UL 14.0071U

## FEATURES-SPECIFICATIONS

### Features

- Enclosures are explosion / flame proof, dust / ignition proof, weather / hose down proof and tamper resistant.
- ATEX & IEC Ex standard on all assemblies.
- HKBX Series box and covers are die cast from copper-free aluminum.
- Neoprene O-ring provide as standard to assure water resistance in Type 3, 4 / IP66 conditions
- Large viewing, 3-5/8”(92mm) diameter.
- Large 4-1/4”(108mm) diameter internal cover opening with a full depth - no wasted space.
- HKBX box has offset feed through conduit openings, three 3/4” NPTs supplied as standard. Optional 3/4” NPSM or M25 openings available.
- A large internal mounting pad supplied in a “X” configuration for the flexibility of adapting to any OEM bolt circle.
- Both a internal and external anti-turn ground (earth) terminals supplied as standard.
- All covers supplied standard with shrouded tamper resistant set screw.
- Recessed cover lugs permit easy removal and tightening. Large recess grip slots for opening and closing of the cover.
- Cast on mounting lugs standard 1/4” (6.3mm) Dia. Mounting Holes.
- Same mounting foot print as the legacy HKB Series boxes.

### Materials

- HKBX Series box and covers are die cast from 413 copper-free aluminum, containing less than 4/10 of 1% alloy and less than 6% magnesium.
- **O-ring gasket Neoprene** - (70 durometer nitrile compound)
- **Ground (earth) screw** - 316 Stainless steel with green plating.
- **Allen head cover locking screw** - 316 Stainless steel
- **Glass lens** - 3/8”(9.5mm) thick tempered float glass.
- **Finish** - silver powder epoxy paint electrostatically applied.
- Special colors available in quantity

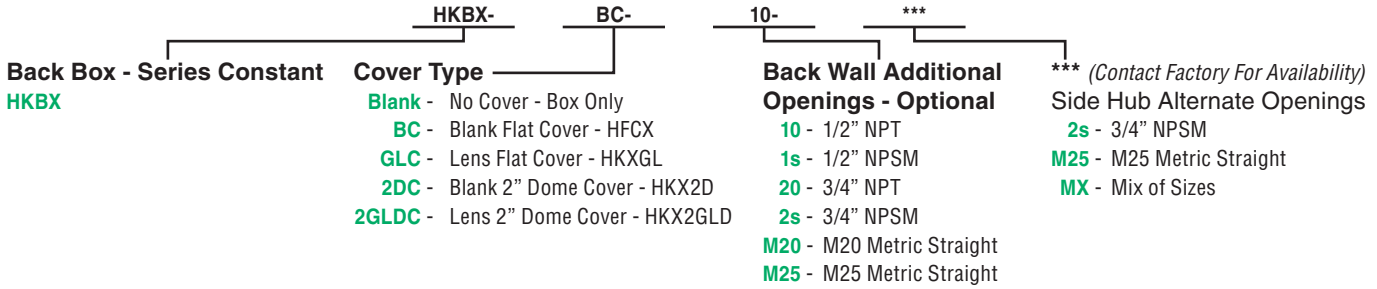
### Factory / Field Modifications

- **UL & CSA approvals** allow for the field drilling and tapping of blind holes into the internal “X” ribs for mounting of customer equipment. The internal pad allows for the field drilling and tapping for one additional opening, 1/2” NPT or NPSM , 3/4” NPT or NPSM, or M20 or M25.
- **ATEX IEC Ex approvals** all machining modifications must be done by the factory.



# HKBX SERIES

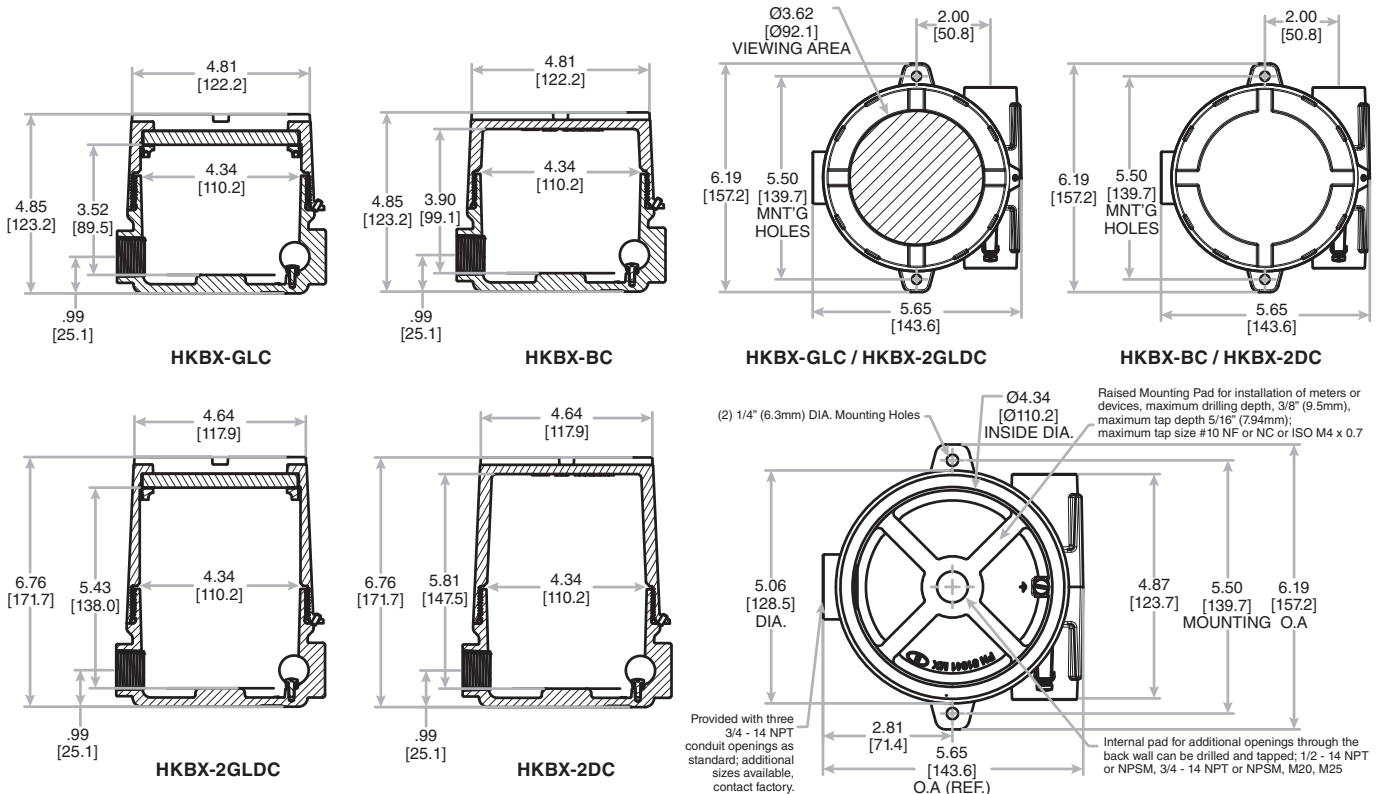
## CATALOG LOGIC



HKBX COMPONENT AND ASSEMBLY NUMBERS	
CATALOG NUMBER	ITEM DESCRIPTION
HKBX	Box only 4-1/4" (108mm) internal diameter opening
HFCX	Flat cover 4-1/4" (108mm) internal diameter opening
HKXGL	Lens cover 3-5/8" (92mm) diameter viewing
HKX2D	Dome 2" cover 4-1/4" (108mm) internal diameter
HKX2GLD	Dome 2" lens cover 3-5/8" (92mm) diameter viewing
HKBX-BC	Box with flat cover 4-1/4" (108mm) internal diameter QUAD Approvals
HKBX-GLC	Box with lens cover 3-5/8" (92mm) viewing QUAD Approvals
HKBX-2DC	Box with 2" dome cover 4-1/4" (108mm) internal diameter QUAD Approvals
HKBX-2GLDC	Box with 2" dome lens cover 3-5/8" (92mm) viewing QUAD Approvals
HKBX-GRD	HKBX replacement ground kit
15722JABB	HKBX replacement "O" ring

HKBX FACTORY MODIFICATIONS	
OPTIONAL FACTORY MACHINING	
CATALOG SUFFIX	MODIFICATION DESCRIPTION
-10	1/2" NPT in the back wall
-1S	1/2" NPSM in the back wall
-20	3/4" NPT in the back wall
-2S	3/4" NPSM in the back wall
-2SS	3/4" NPSM in the side hubs <i>Consult Factory for Pricing</i>
-M20	M20 in the back wall
-M25	M25 in the back wall
-M25S	M25 in the side hubs <i>Consult Factory for Pricing</i>
-MX	Mix of sizes and locations <i>Consult Factory for Pricing</i>

Note: The HKBX covers are non-interchangeable with the legacy HKB's covers.

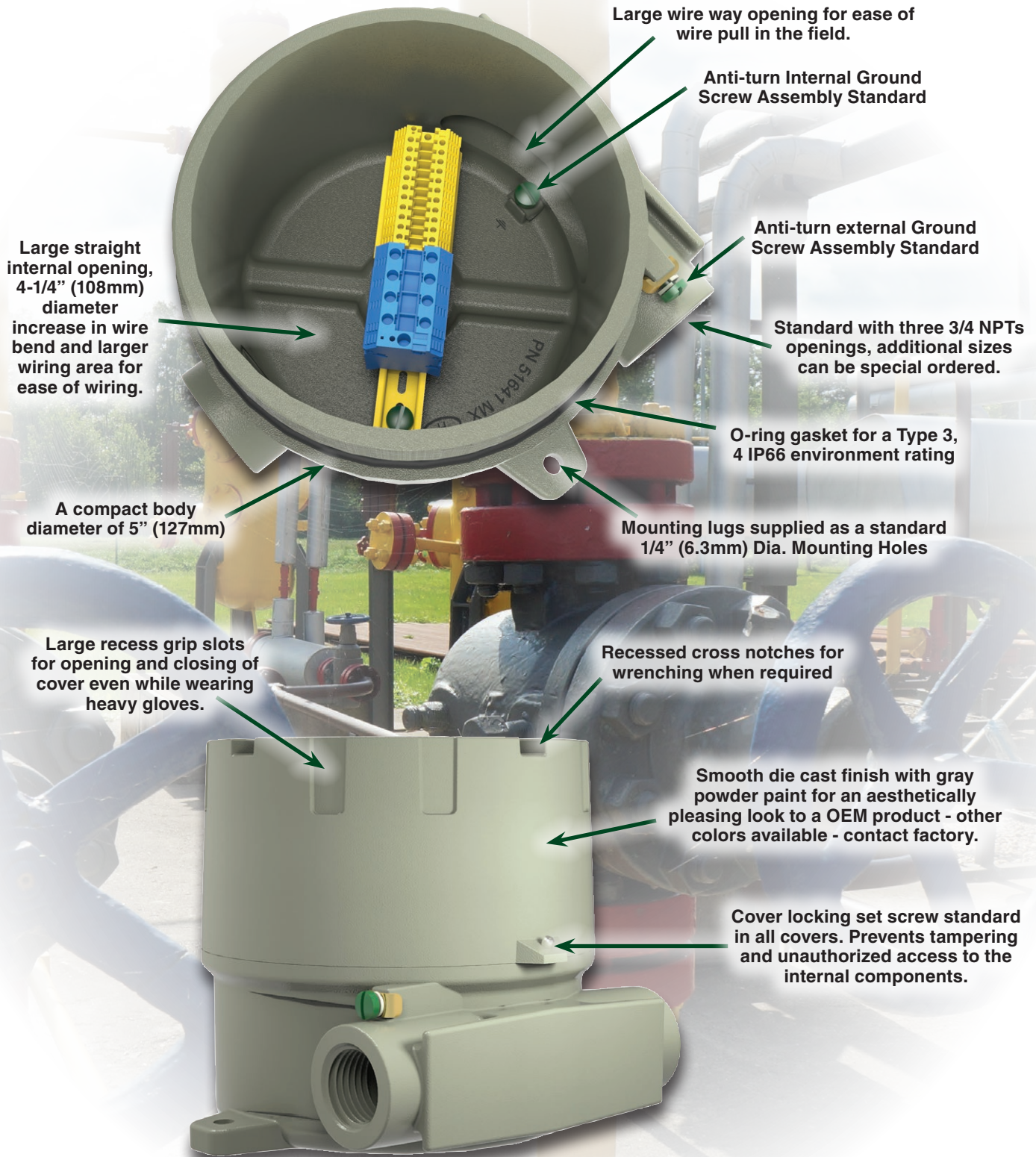


# ENCLOSURES

HK BX-TB SERIES



HK BX TERMINAL BOX - UL / CSA / ATEX / IEC EX



Large wire way opening for ease of wire pull in the field.

Anti-turn Internal Ground Screw Assembly Standard

Anti-turn external Ground Screw Assembly Standard

Standard with three 3/4 NPTs openings, additional sizes can be special ordered.

O-ring gasket for a Type 3, 4 IP66 environment rating

Mounting lugs supplied as a standard 1/4" (6.3mm) Dia. Mounting Holes

Recessed cross notches for wrenching when required

Smooth die cast finish with gray powder paint for an aesthetically pleasing look to a OEM product - other colors available - contact factory.

Cover locking set screw standard in all covers. Prevents tampering and unauthorized access to the internal components.

Large straight internal opening, 4-1/4" (108mm) diameter increase in wire bend and larger wiring area for ease of wiring.

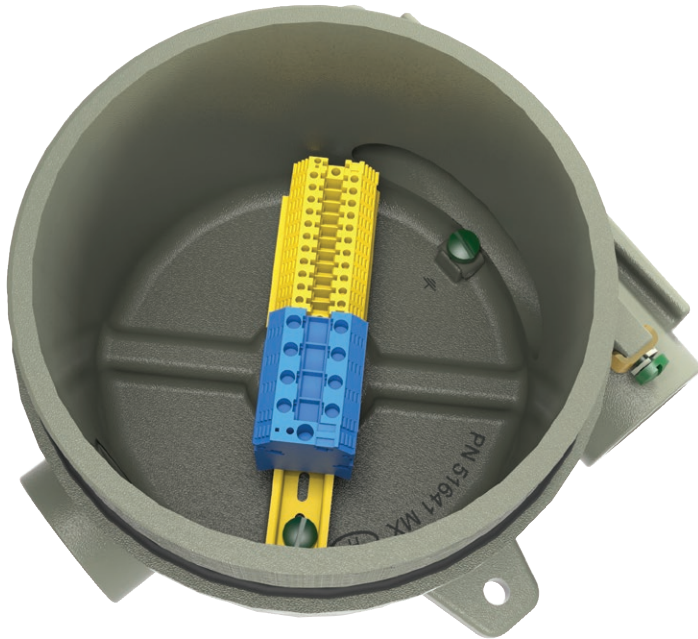
A compact body diameter of 5" (127mm)

Large recess grip slots for opening and closing of cover even while wearing heavy gloves.



## HKBX-TB SERIES

### HKBX TERMINAL BOX - UL / CSA / ATEX / IEC EX



#### **HKBX-TB** Terminal Box

##### **NEC / CEC Certifications**

**Class I, Groups A, B, C & D**

**Class I, Zone 1, AEx db IIC**

**Class II, Groups E, F & G**

**Class III**

**Type 3, 4, 4X**

**Ta = -60°C to +70°C**



**File E83969**



**File LR11716 - 1750685**

##### **ATEX / IEC Ex Certificate**



**II 2 G D CE 2813**

**Ex db IIC T4...T3 Gb**

**Ex eb IIC T4...T3 Gb**

**Ex tb IIIC T110°C...T140°C IP66**

**Ta = -60°C to +70°C**

**DEMKO 06ATEX 141023X**

**DEMKO 06ATEX 0521635X**

**IECEX UL 14.0060X**

**IECEX UL 14.0069X**

## FEATURES-SPECIFICATIONS

### Features

- Maximum (10) 2.5mm<sup>2</sup> terminal blocks
- Maximum 630VAC, 60 AMPs
- Enclosures are explosion / flame proof, dust / ignition proof, weather / hose down proof and tamper resistant.
- ATEX & IEC Ex standard on all assemblies.
- Box and cover without ATEX IEC Ex can be sold separately.
- HKBX Series box and covers are die cast from copper-free aluminum.
- Neoprene O-ring provide as standard to assure water resistance in Type 3, 4 / IP66 conditions
- Large 4-1/4" (108mm) diameter internal cover opening with a full depth - no wasted space.
- HKBX box has offset feed through conduit openings, three 3/4" NPTs supplied as standard. Optional 3/4" NPSM or M25 openings available.
- A large internal mounting pad supplied in a "X" configuration for the flexibility of adapting to any OEM bolt circle.
- Both a internal and external anti-turn ground (earth) terminals supplied as standard.
- Cover supplied standard with shrouded tamper resistant set screw.
- Recessed cover lugs permit easy removal and tightening. Large recess grip slots for opening and closing of the cover.
- Cast on mounting lugs standard 1/4" (6.3mm) Dia. Mounting Holes.
- Same mounting foot print as the legacy HKB Series boxes.

### Materials

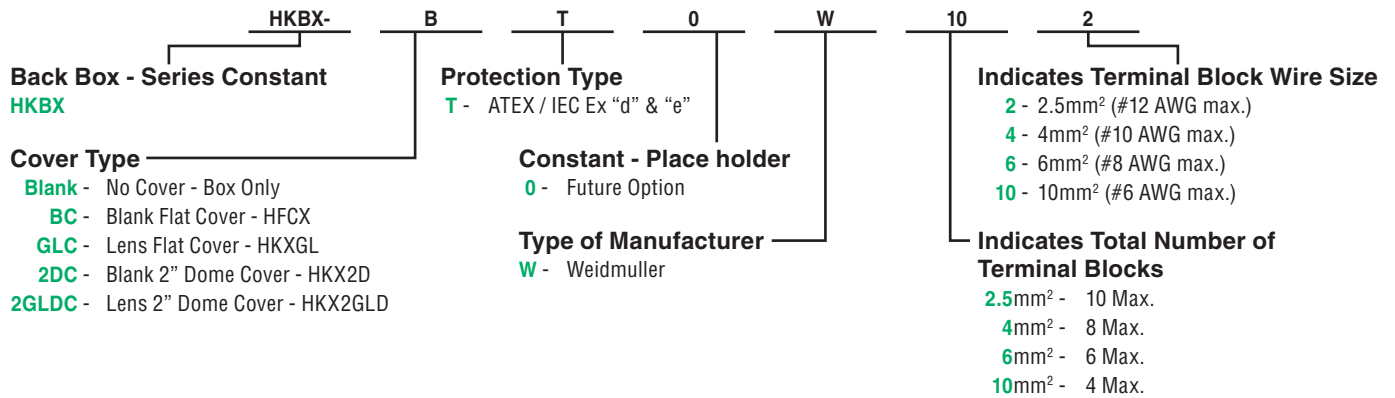
- HKBX Series box and covers are die cast from 413 copper-free aluminum, containing less than 4/10 of 1% alloy and less than 6% magnesium.
- **O-ring gasket Neoprene** - (70 durometer nitrile compound)
- **Ground (earth) screw** - 316 Stainless steel with green plating.
- **Allen head cover locking screw** - 316 Stainless steel
- **Finish** - silver powder epoxy paint electrostatically applied
- Special colors available in quantity

# ENCLOSURES

HKBX-TB SERIES



## CATALOG LOGIC



REPLACEMENT COMPONENTS	
CATALOG NUMBER	DESCRIPTIONS
<b>HKBX-GRD</b>	HKBX replacement ground kit
<b>15722AAAB</b>	HKBX replacement "O" ring

Note: The HKBX covers are non-interchangeable with the legacy HKB's covers.

HKBX FACTORY MODIFICATIONS	
OPTIONAL FACTORY MACHINING	
CATALOG SUFFIX	MODIFICATION DESCRIPTION
<b>-2SS</b>	3/4" NPSM in the side hubs <i>Consult Factory for Pricing</i>
<b>-M25S</b>	M25 in the side hubs <i>Consult Factory for Pricing</i>
<b>-MX</b>	Mix of sizes and locations <i>Consult Factory for Pricing</i>