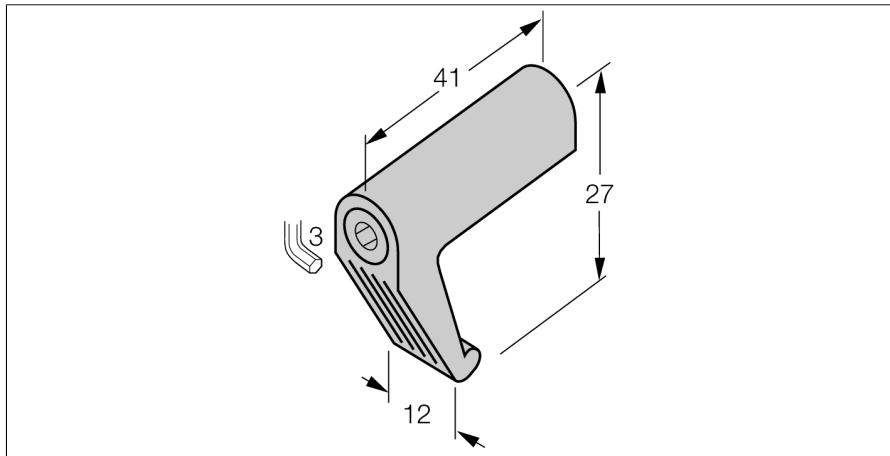
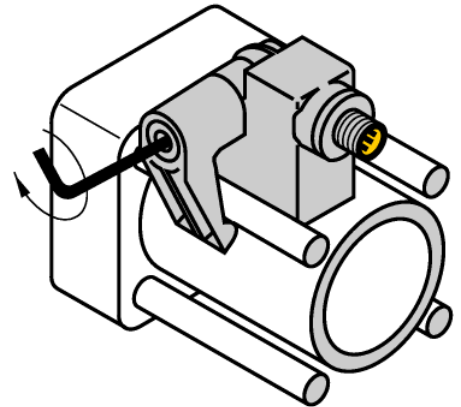


Accessories
Mounting Bracket
For Tie-Rod Cylinders
KLI3



- Mounting on tie-rod cylinders
- Cylinder diameter: 63...160 mm
- Material: Die-cast Zinc



Type designation	KLI3
Ident-No.	69712
Design	Accessories, IKE, IKT, IKM
Dimensions	41 x 27 x 12 mm
Housing material	Metal, GD-Zn
Fixing clamp for correspondent cylinder diameter	63...160 mm
Clamping width min.	6 mm
Max.clamp width	16 mm

