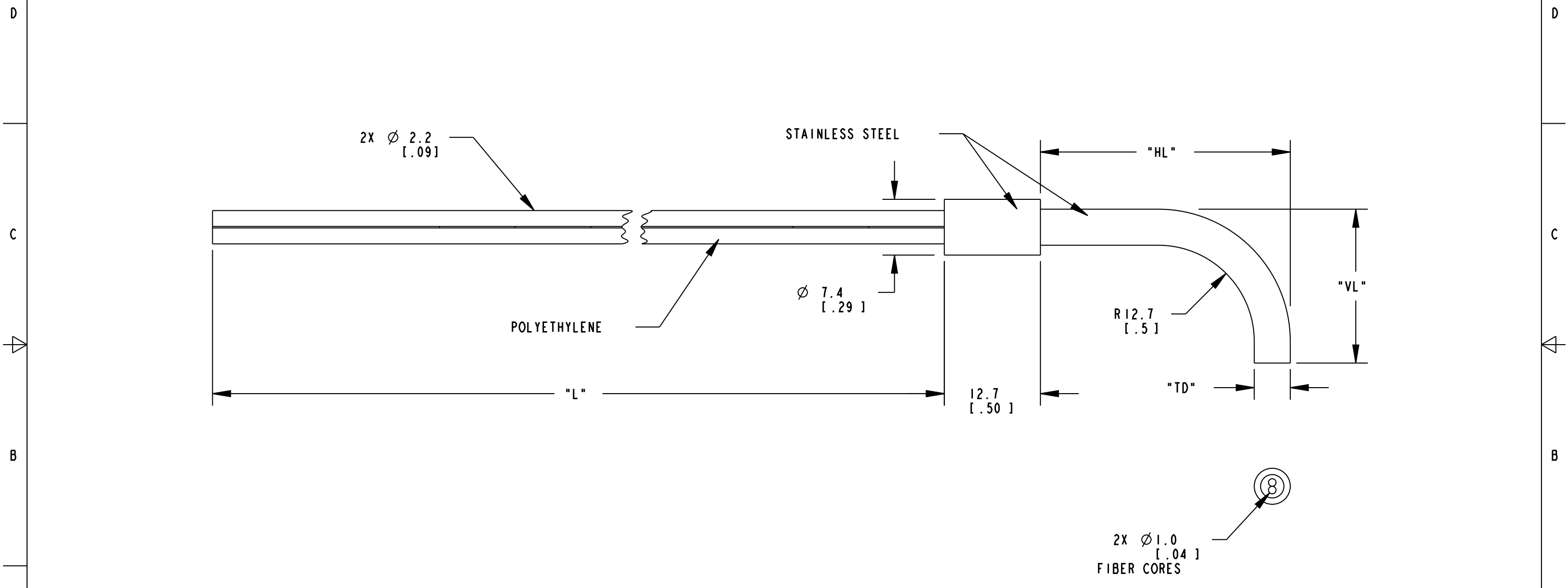



8 | 7 | 6 | 5 | 4 | 3 | 2 | 1

REVISION HISTORY			
REV	DESCRIPTION	DATE	APPROVED



MODEL NO.	"HL"	"L"	"TD"	"VL"	P/N
PBA46UM1.1X.8MF	28 [1.1]	2000 [79]	4.7 [.187]	20 [.8]	40410

REV.	DESCRIPTION	DATE	INITIAL
	 <p>Dimensions are Millimeters [inches] TOLERANCES (Unless Otherwise Specified) X = ±2.5mm X.X = ±0.25 X.XX = ±0.12mm [X.X = ±.1"] [.XX = ±.01"] [.XXX = ±.005"] ANGLE = ±3° "L" = 40mm/Meter [1.5"/Foot]</p>		
PBA46UM1.1X.8MF		PLASTIC FIBEROPTIC ASSEMBLY & MOD'S	
12-5-95	1 OF 1	40410	-

8 | 7 | 6 | 5 | 4 | 3 | 2 | 1