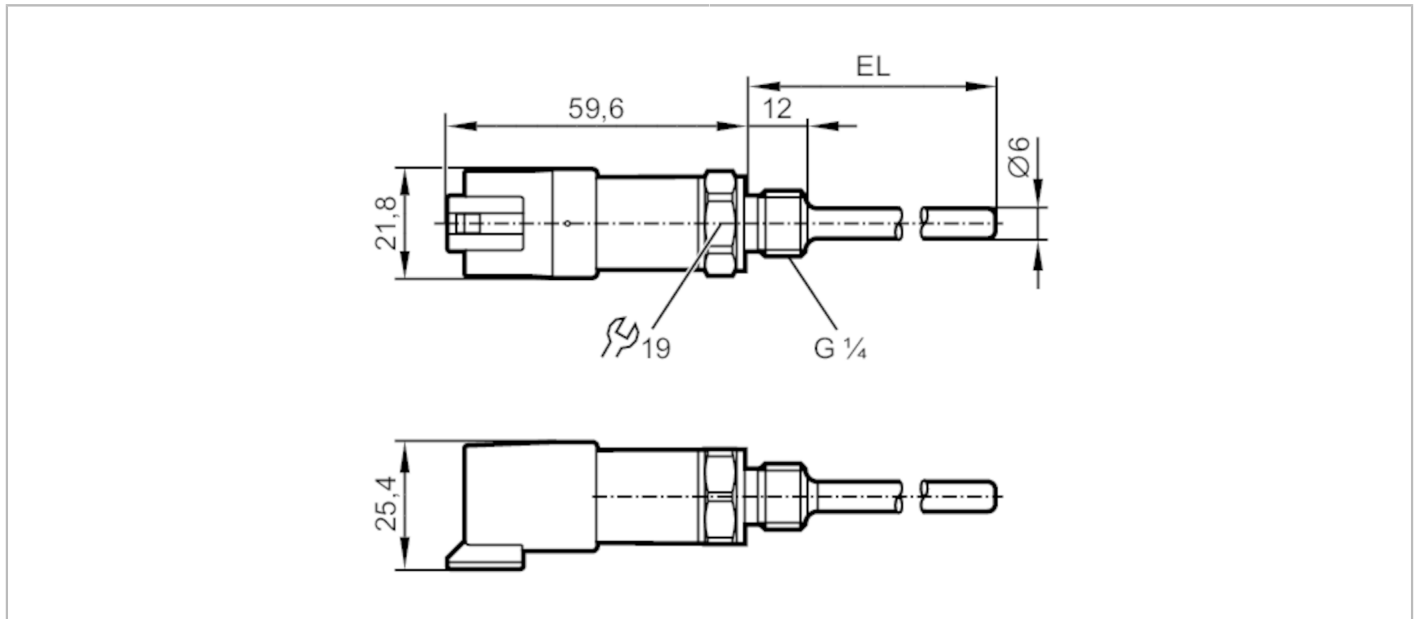


TA4105



Temperature transmitter

TA-025CLEM14-A-ZVG/DE



Product characteristics	
Number of inputs and outputs	Number of analog outputs: 1
Measuring range	-50...150 °C -58...302 °F
Process connection	threaded connection G 1/4 external thread
Installation length EL [mm]	25
Application	
Measuring element	1 x Pt 1000; (to DIN EN 60751, class A)
Media	liquids and gases
Pressure rating [bar]	400
Electrical data	
Operating voltage [V]	10...30 DC; (cULus - Class 2 source required)
Current consumption [mA]	< 30
Protection class	III
Reverse polarity protection	yes
Inputs / outputs	
Number of inputs and outputs	Number of analog outputs: 1
Outputs	
Total number of outputs	1
Output signal	analog signal
Number of analog outputs	1
Analog current output [mA]	4...20
Max. load [Ω]	(U _b - 8,5 V) / 21,5 mA; 24 V: 720 Ω
Short-circuit protection	yes
Overload protection	yes
Measuring/setting range	
Measuring range	-50...150 °C -58...302 °F

TA4105



Temperature transmitter

TA-025CLEM14-A-ZVG/DE

Resolution			
Resolution of analog output	[K]	0.04	
Accuracy / deviations			
Precision analog output	[K]	$\pm 0,3 + (\pm 0,1 \% MS)$	
Temperature coefficient	[% of the span / 10 K]	0,1; (In case of deviation from the reference condition $25 \pm 5 \text{ }^\circ\text{C}$)	
Reaction times			
Dynamic response T05 / T09	[s]	1 / 3; (according to DIN EN 60751)	
Operating conditions			
Ambient temperature	[$^\circ\text{C}$]	-40...100	
Storage temperature	[$^\circ\text{C}$]	-40...100	
Protection		IP 68; IP 69K	
Tests / approvals			
EMC		DIN EN 61000-6-2 DIN EN 61000-6-3	
Shock resistance		DIN EN 60068-2-27	50 g (11 ms)
Vibration resistance		DIN EN 60068-2-6	20 g (10...2000 Hz)
MTTF	[years]		1092
UL approval		UL approval number	K006
Mechanical data			
Weight	[g]		92
Material		stainless steel (1.4404 / 316L); PPS; FKM	
Materials (wetted parts)		stainless steel (1.4404 / 316L); FKM	
Process connection		threaded connection G 1/4 external thread	
Probe diameter	[mm]		6
Installation length EL	[mm]		25
Remarks			
Remarks		The values for accuracy apply to flowing water. referring to UL: for use on a low voltage circuit with overcurrent protection in accordance with UL873 tab. 28.1 or $I_{max} = 100/U_b$ (U_b = voltage of the circuit)	
Pack quantity			1 pcs.
Electrical connection			
Connector: 1 x DEUTSCH connector (DT04-3P)			

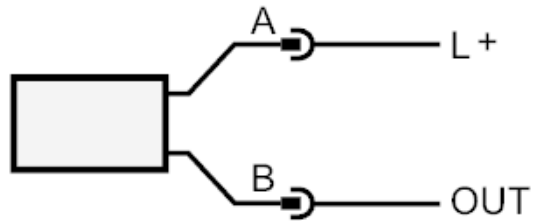
TA4105



Temperature transmitter

TA-025CLEM14-A-ZVG/DE

Connection



OUT: analog output