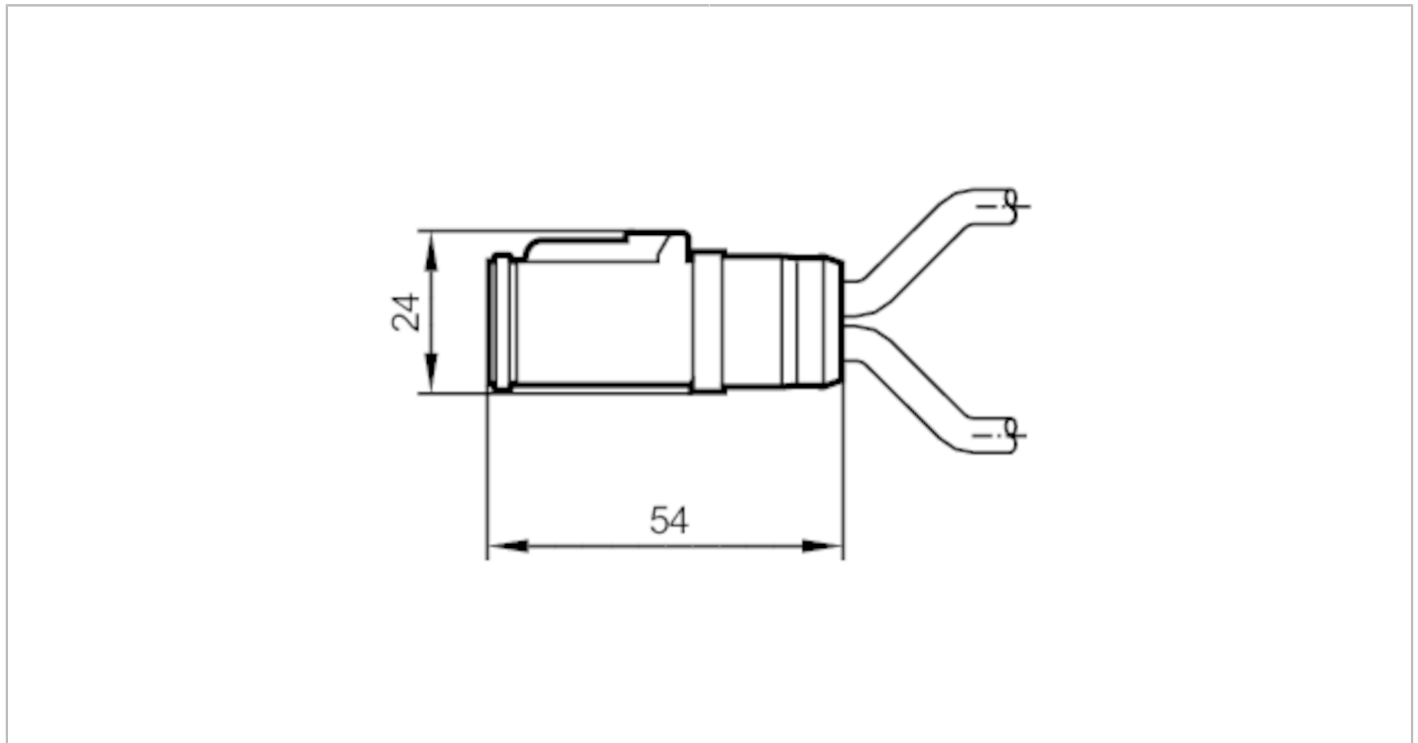


E12547



Y connection cable

YDOGS030PLS0002H03



Application		
System	Free from silicone; Halogen-free; Drag chain suitability	
Free from silicone	yes	
Electrical data		
Operating voltage [V]	8...32 DC	
Protection class	III	
Max. current load total [A]	4	
Operating conditions		
Ambient temperature [°C]	-40...85	
Ambient temperature (moving) [°C]	-20...85	
Protection	IP 67; (mating connector plugged in)	
Mechanical data		
Weight [g]	132.83	
Dimensions [mm]	24 x 24 x 54	
Material	PA	
Number of ports splitter box	2	
Drag chain suitability	yes	
Drag chain suitability	Bending radius for flexible applications	min. 10 x cable diameter
	Travel speed	max. 3.3 m/s for a horizontal travel length of 5 m and max. acceleration of 5 m/s ²
	Bending cycles	> 5 Mio.
	Torsional strain	± 180 °/m

E12547



Y connection cable

YDOGS030PLS0002H03

Remarks

Pack quantity 1 pcs.

Electrical connection - 1-2-3

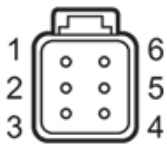
Cable: 2 m, PUR, Halogen-free, black, Ø 5.4 mm; 3 x 0.50 mm² (28 x Ø 0.15 mm)

Electrical connection - 4-5-6

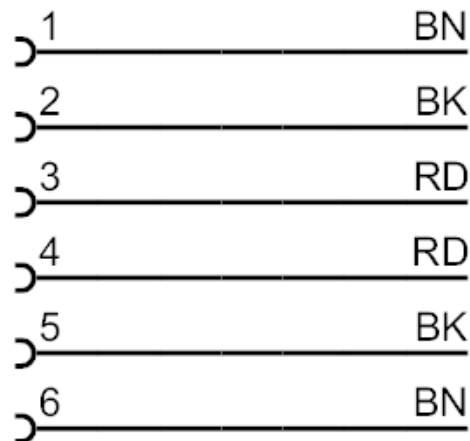
Cable: 2 m, PUR, Halogen-free, black, Ø 5.4 mm; 3 x 0.50 mm² (28 x Ø 0.15 mm)

Electrical connection - Socket

Connector: 1 x DEUTSCH connector; Contacts: nickel-plated; Tightening torque: 0.6...1.5 Nm



Connection



Core colors :

BK = black
BN = brown
RD = red