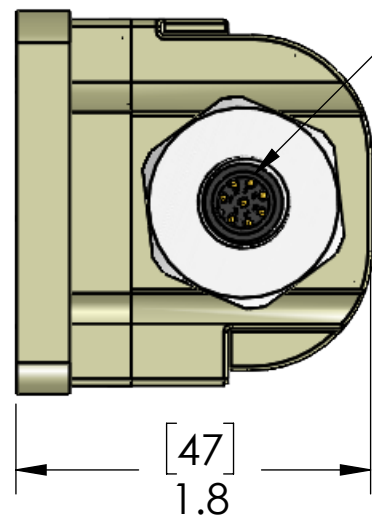
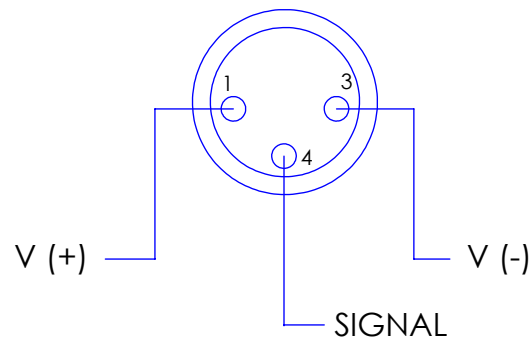
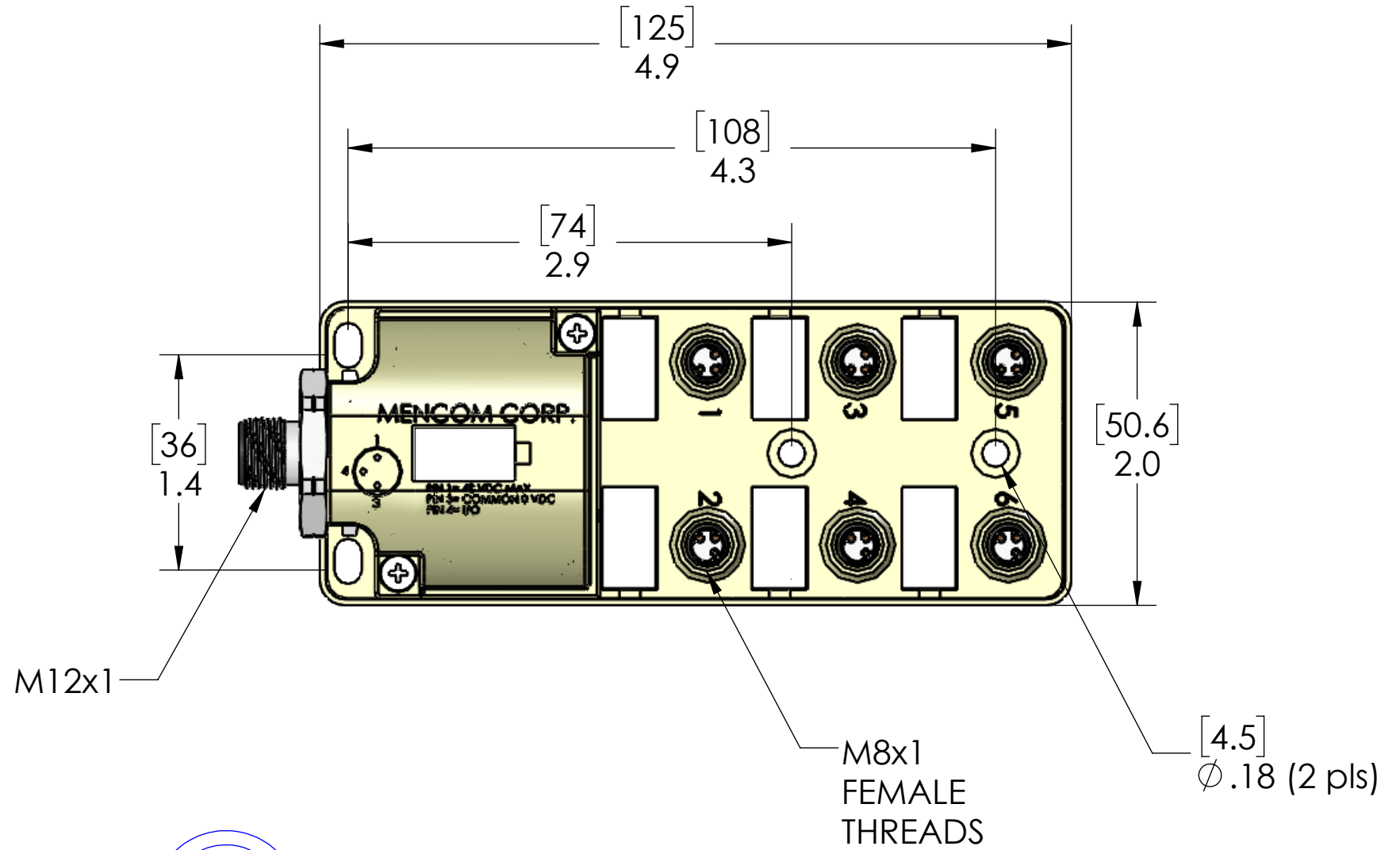


WIRING	
M12 PIN	FUNCTION
5	V+ (ALL PORTS PIN 1)
7	V- (ALL PORTS PIN 3)
1	PORT 1 / PIN 4
2	PORT 2 / PIN 4
3	PORT 3 / PIN 4
4	PORT 4 / PIN 4
6	PORT 5 / PIN 4
8	PORT 6 / PIN 4



ORIENTATION OF KEYWAY IS RANDOM



MATERIALS:	
BODY:	PBT
MARKERS:	PBT
INSERTS:	POLYAMIDE
CONTACTS:	GOLD PLATED COPPER ALLOY
O-RINGS:	NBR
MDC SHELL:	ANODIZED ALUMINUM
MDC INSERT:	POLYAMIDE
RATINGS:	
VOLTS:	60V MAX
AMPS:	3A PER PORT, 8A PER BLOCK

PROPRIETARY AND CONFIDENTIAL
 THE INFORMATION CONTAINED IN THIS DRAWING IS THE SOLE PROPERTY OF MENCOM CORPORATION. ANY REPRODUCTION IN PART OR AS A WHOLE WITHOUT THE WRITTEN PERMISSION OF MENCOM CORPORATION IS PROHIBITED.

UNLESS OTHERWISE SPECIFIED:	DRAWN BY	JJH
DIMENSIONS ARE IN INCHES AND [MM]	DRAWN DATE	12/19/2019
	CHECKED BY	ADM
	CHECK DATE	12/19/2019
MATERIAL	COMMENTS:	
FINISH		
DO NOT SCALE DRAWING		

MENCOM CORPORATION		
TITLE:		
SIZE	DWG. NO.	REV
B	JAN-630-008-E000	A
SCALE: 1:1	WEIGHT:	SHEET 1 OF 1