

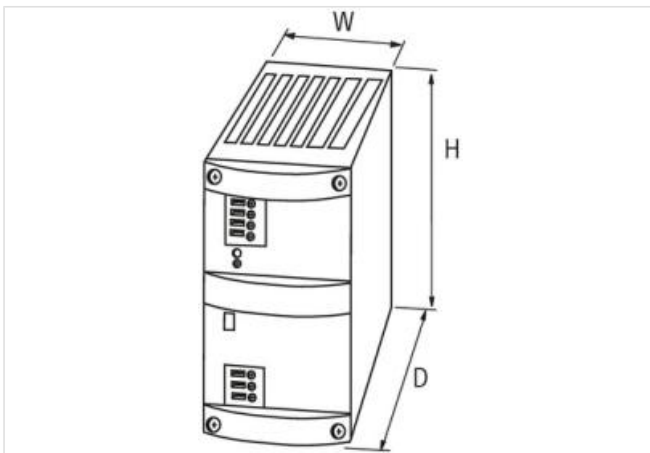
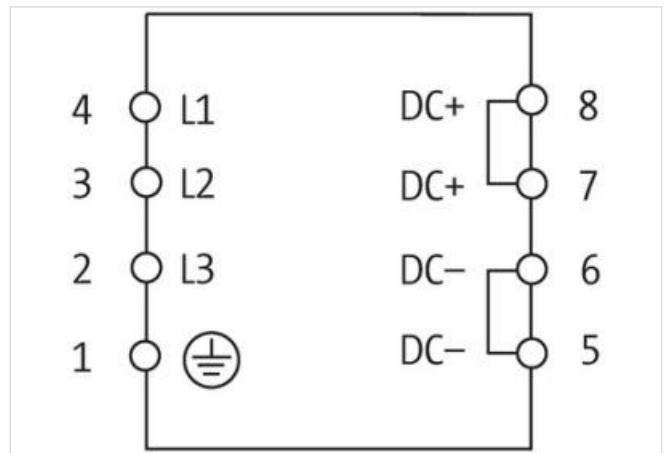
MCS POWER SUPPLY 3-PHASE,

IN: 340-460VAC OUT: 24-28V/20ADC

INPUT: 3× 340...460 V AC

OUTPUT: 24...28 V DC

Current: 20 A

[Link to Product](#)**Illustration**

Product may differ from Image

General data

Standards	IEC 61010-2-201, EN 61204-3, EN 55011 A
Mounting method	DIN-rail mountable TH35 (EN 60715)
Temperature range	0...+60 °C (storage temperature -25...+85 °C)
Relative humidity	30...90%, no condensation
Efficiency	90%
Dimensions H×W×D	170×84×201 mm

Output

Output voltage	24 V DC (SELV), ±1%; 24...28 V adjustable
LED display	LED (green) for output voltage
Selectable switch-off mode	front sided plug link (automatic re-start or definite shut-off)
Output current	20 A (+60 °C); 20...24 A (+40 °C)

The information in this brochure has been compiled with the utmost care.

Liability for the correctness completeness and topicality of the information is restricted to gross negligence. Version: 2022-11-13

Murrelektronik Inc. | 1327 Northbrook Parkway, Suite 460 | Suwanee, GA 30024 | Fon +1 770 497-9292 | Fax +1 770 497-9391 | shop@murrinc.com | shop.murrinc.com

Mains failure bridging time	min. 10 ms (400 V AC)
Ripple	max. 20 mV eff/rms
Spikes	max. 100 mV ss/pp
Unit protection	short-circuit and overload protected
Parallel usage/serial usage	yes/yes
Input	
Input voltage	3x 340...460 V AC
Primary fusing external	max. 3x 6 A
Input current	3x 1.4 A
Inrush current after 1 ms	max. 25 A
Frequency	50...60 Hz
Product article number of manufacturer	85097