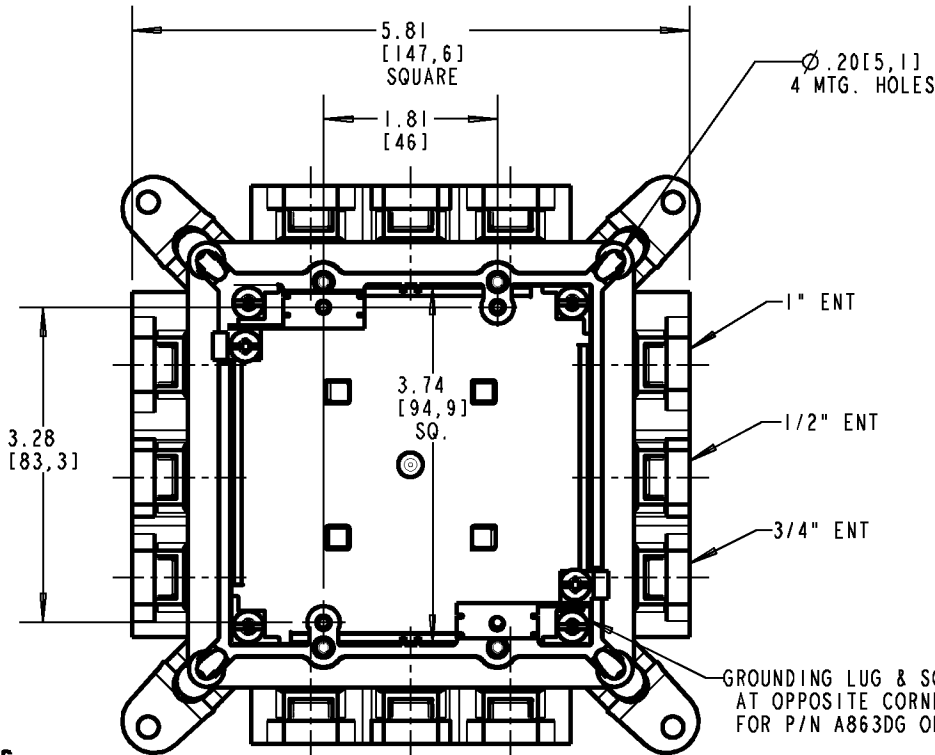
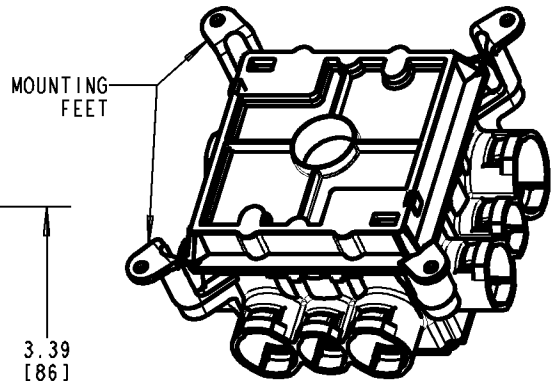
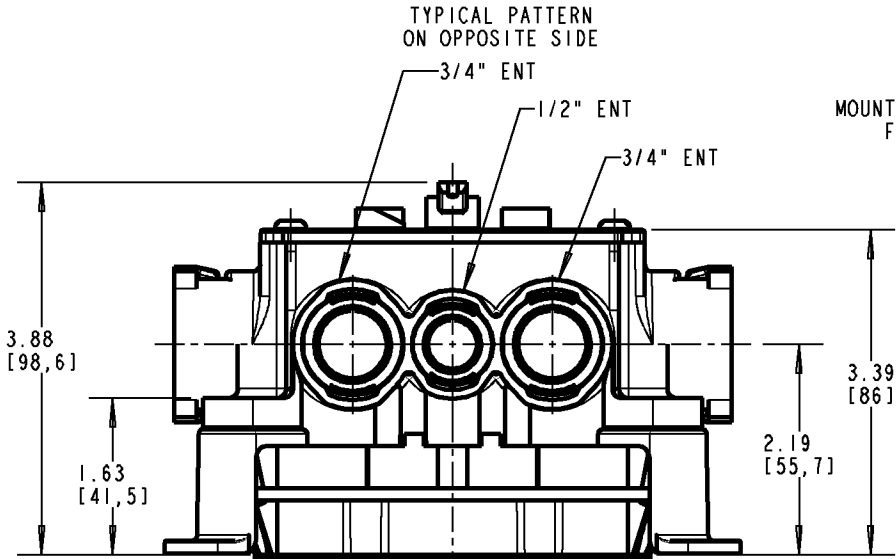


Carlton®



NOTES:

1. MATERIAL IS BLUE THERMOPLASTIC (POLYCARBONATE).
2. P/N A863D IS WITHOUT GROUND.
3. WARNING:
 - SOLVENTS CANNOT BE APPLIED TO ANY POLYCARBONATE ELECTRICAL BOXES.
 - DO NOT SPRAY PAINT POLYCARBONATE ELECTRICAL BOXES WITH SOLVENT-BASED PAINT.
 - DO NOT SPRAY PAINT POLYCARBONATE ELECTRICAL BOXES WITH SPRAY PAINT APPLICATION WHICH INCLUDES ANY SOLVENT.

PART NUMBER	ADDITIONAL (4) MOUNTING FEET
A863D	NO
A863DG	NO
A863DF	YES
A863DGF	YES

Thomas & Betts
www.tnb.com

DESCRIPTION: **2 GANG MUDBOX**

F SEE ERN 2017021 FOR APPROVAL SIGNATURES & RELEASE DATE. PROJECT NO: 5AM000003

/ ()

SHEET NO: 3 OF 5

REV. NO: F

DRAWING NO: WSD-AC04391