

Liquidtight flexible nonmetallic conduit fittings

Specifications – Bullet® liquidtight fittings for liquidtight flexible nonmetallic conduit Type B and tubing

Plastic Bullet liquidtight fittings feature:

- Fitting assembles to conduit without disassembly and is designed to be installed with positive installation criteria (gland bottoms on body shoulder)
- Rugged low-profile nonmetallic body and gland construction (1); the fitting is equipped with a steel locknut to firmly secure fitting to box or an enclosure and a sealing O-ring
- Captive sealing O-ring (2) with predetermined compression for a reliable seal at enclosure
- Fitting ferrule designed to accept variations in conduit inside diameter and is tolerant of field conduit cuts (3)
- Ferrule profile designed to reduce friction between conduit I.D. and ferrule (4) allowing conduit to seat properly for an effective seal
- Outer surface of clamping fingers provided with friction-reducing ridges (5) for ease of installation; the inner surface is designed with conduit biting teeth to enhance clamping and sealing action (6)
- Performance of fittings tested to simulate adverse installation conditions
- Provides a double sealing action (7)
- Elongated gland nut profile (8) designed to provide additional strain relief for 90° pull and an easy hand grip
- Performance of fitting unaffected by exposure to detergents, cleaners and sanitizers commonly encountered in food processing plants and typical industrial environment; also unaffected by cutting fluids, wiring pulling compounds and marine environment
- Meets industry standards for cold impact and simulated hammer blow

Standard material/finish:

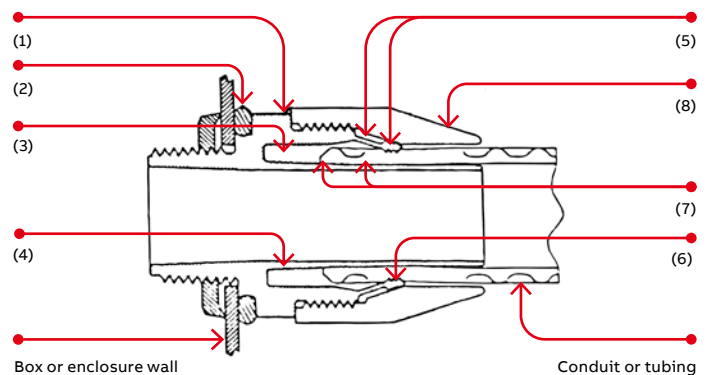
- Body gland: Weather-stabilized thermoplastic (black)
- O-ring: Nitrile (blue)
- Locknut: Steel/electro-zinc plated
- Material temperature rating: Thermoplastic -40 °C to 105 °C
- Material flammability rating: UL94V-2

Conformity

- CSA C22.2 #227.2 & CSA C22.2 #227.3
- UL514B
- Watertight requirements of NEMA Type 4 and Type 4X
- Federal Standard H-28 (NPT threads)
- There is no CEC Rule to use nonmetallic liquidtight conduit and fittings in Class I, Zone 2 or Class I, Division 2; Rule 18-202 (4) (b) Class II, Division 1; Rule 18-252 (4) Class II, Division 2; Rule 18-302 (4) Class III, Division 1

Application:

- A series of nonmetallic fittings designed to provide a liquidtight seal when terminating liquidtight nonmetallic conduit (UL Type B) or liquidtight nonmetallic tubing to a box or enclosure with knockout opening or a threaded hub



Liquidtight flexible nonmetallic conduit fittings

Bullet liquidtight fittings for nonmetallic liquidtight conduit Type B and tubing.

Plastic Bullet fittings



Cat. no.	Fig.	Trade size (in.)	A±0.015 (0.040)		*B± 0.035 (0.90)		C±0.015 (0.40) across corner in. (mm)	Min. throat dia. D in. (mm)	E Thread NPT	F* in. (mm) approx.
			in. (mm)	in. (mm)	in. (mm)	in. (mm)				
LT38P	1	3/8	0.570 (14.48)	1.595	(40.51)	1.354 (34.39)	0.417 (10.59)	1/2-14	-	
LT438P	2	3/8	0.570 (14.48)	2.012	(51.10)	1.354 (34.39)	0.417 (10.59)	1/2-14	1.534 (38.95)	
LT938P	3	3/8	0.570 (14.48)	1.380	(35.05)	1.354 (34.39)	0.417 (10.59)	1/2-14	1.880 (47.75)	
LT50P	1	1/2	0.570 (14.48)	1.636	(41.55)	1.448 (36.78)	0.550 (13.97)	1/2-14	-	
LT450P	2	1/2	0.570 (14.48)	2.092	(53.14)	1.448 (36.78)	0.550 (13.97)	1/2-14	1.590 (40.39)	
LT950P	3	1/2	0.570 (14.48)	1.489	(37.82)	1.448 (36.78)	0.550 (13.97)	1/2-14	1.986 (50.44)	
LT75P	1	3/4	0.582 (14.78)	1.757	(44.63)	1.740 (44.20)	0.740 (18.80)	3/4-14	-	
LT475P	2	3/4	0.582 (14.78)	2.452	(62.28)	1.740 (44.20)	0.740 (18.80)	3/4-14	1.821 (46.25)	
LT975P	3	3/4	0.582 (14.78)	1.790	(45.47)	1.740 (44.20)	0.740 (18.80)	3/4-14	2.212 (56.00)	
LT100P	1	1	0.726 (18.44)	1.923	(48.84)	2.068 (52.53)	0.940 (23.88)	1-11/2	-	
LT4100P	2	1	0.726 (18.44)	2.684	(68.17)	2.068 (52.53)	0.940 (23.88)	1-11/2	2.034 (51.66)	
LT9100P	3	1	0.726 (18.44)	2.104	(53.44)	2.068 (52.53)	0.940 (23.88)	1-11/2	2.508 (63.70)	
LT125P	1	1 1/4	0.750 (19.05)	2.164	(54.97)	2.494 (63.35)	1.257 (31.93)	1 1/4-11 1/2	-	
LT4125P	2	1 1/4	0.750 (19.05)	3.264	(82.91)	2.494 (63.35)	1.257 (31.93)	1 1/4-11 1/2	2.385 (60.58)	
LT9125P	3	1 1/4	0.750 (19.05)	2.564	(65.13)	2.494 (63.35)	1.257 (31.93)	1 1/4-11 1/2	2.856 (72.54)	
LT150P	1	1 1/2	0.767 (19.48)	3.353	(85.77)	2.784 (70.71)	1.453 (36.91)	1 1/2-11 1/2	-	
LT4150P	2	1 1/2	0.767 (19.48)	3.605	(91.57)	2.784 (70.71)	1.453 (36.91)	1 1/2-11 1/2	2.604 (66.14)	
LT9150P	3	1 1/2	0.767 (19.48)	2.854	(72.49)	2.784 (70.71)	1.453 (36.91)	1 1/2-11 1/2	3.144 (79.86)	
LT200P	1	2	0.794 (20.17)	2.605	(66.17)	3.362 (85.39)	1.883 (47.83)	2-8	-	
LT4200P	2	2	0.794 (20.17)	4.210	(106.93)	3.362 (85.39)	1.883 (47.83)	2-8	3.050 (77.47)	
LT9200P	3	2	0.794 (20.17)	3.432	(87.17)	3.362 (85.39)	1.883 (47.83)	2-8	3.675 (93.34)	

* After assembly

- 01 Figure 1
- 02 Figure 2
- 03 Figure 3

Suggested specification:

Where liquidtight flexible nonmetallic conduit (UL and CSA Type B) or liquidtight flexible nonmetallic tubing is terminated to a box or enclosure, the nonmetallic fittings used shall be able to be installed without disassembly and provide a positive installation criteria. In the installed condition, the fitting must provide a seal meeting watertight requirements of NEMA Type 4 and Type

4X. The performance of fittings shall be unaffected by exposure to detergents, sanitizers, cutting fluids, wire pulling compounds and oil-based industrial paints. The fitting must also be capable of withstanding marine environment and cold impact simulating a hammer blow. Installed fittings shall be of the elongated gland type as manufactured by ABB, LT38P series.

