
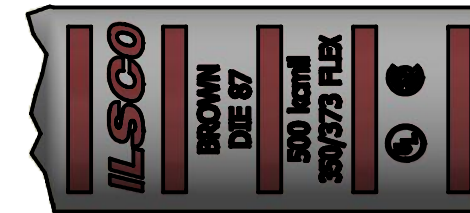
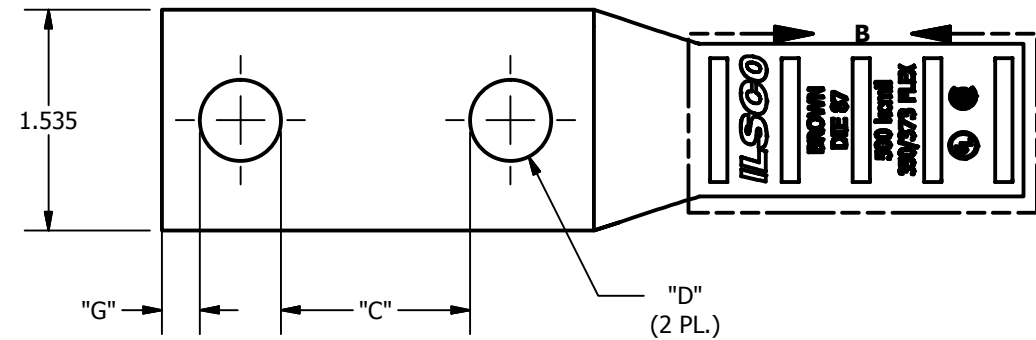
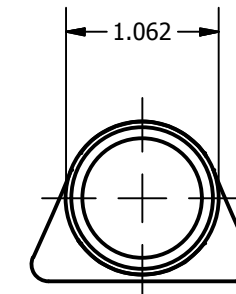
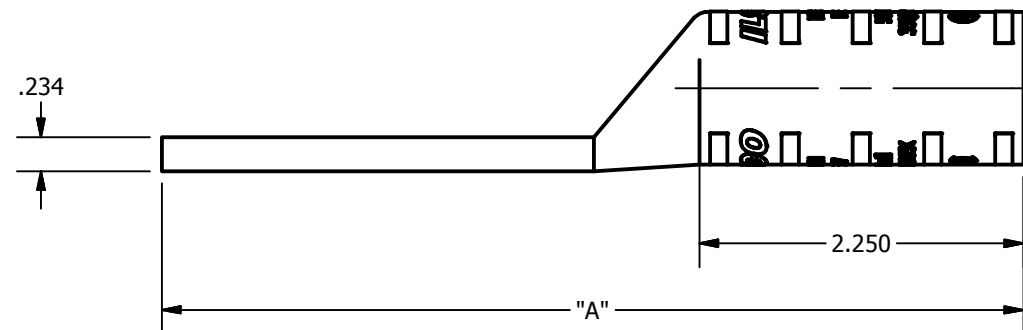


SCREW: NONE	MATERIAL: COPPER	REV: M	 800-776-9775 www.ilSCO.com
CAT. NO.: SEE CHART	PLATING: EL-TIN	DRAWN BY:DW SCALE: NTS	
INFORMATION SHEET:FORM 157	MARKING: SEE CHART	DATE:7/5/2007 SIZE: B	
			DWG NO: Y1503-D
			SHEET: 1 OF 1



DETAIL B
TOP AND BOTTOM INK MARKINGS ARE IDENTICAL
INK COLOR: BROWN
PER SPEC #: F921



Catalog Number	"A"	"C"	"D"	"G"	TANG MARKING
CLND-500-14-12	4.232	0.219	0.281	0.180	
CLND-500-14-58	4.419	0.344	0.281	0.180	
CLND-500-14-34	4.419	0.469	0.281	0.180	ILSCO, CLND-500-14-34, 1/4 X 3/4, 500kcmil, 350/373 FLEX, DIE 87, UL, CSA
CLND-500-14-1	4.669	0.719	0.281	0.180	
CLND-500-516-58	4.419	0.282	0.343	0.180	
CLND-500-516-34	4.669	0.407	0.343	0.180	ILSCO, CLND-500-516-34, 5/16 X 3/4, 500kcmil, 350/373 FLEX, DIE 87, UL, CSA
CLND-500-516-78	4.669	0.532	0.343	0.180	
CLND-500-516-1	4.919	0.657	0.343	0.180	
CLND-500-516-134	5.482	1.407	0.343	0.180	
CLND-500-38-34	4.669	0.344	0.406	0.211	
CLND-500-38-78	4.919	0.469	0.406	0.211	
CLND-500-38-1	4.919	0.594	0.406	0.211	ILSCO, CLND-500-38-1, 3/8 X 1, DIE 87, 500 kcmil, 350/373 FLEX, UL, CSA
CLND-500-38-116	4.919	0.656	0.406	0.211	
CLND-500-38-118	5.107	0.719	0.406	0.211	
CLND-500-38-134	5.607	1.344	0.406	0.211	ILSCO, CLND-500-38-134, 3/8 X 1-3/4, 500 kcmil, 350/373 FLEX, DIE 87, UL, CSA
CLND-500-38-2	5.982	1.594	0.406	0.211	
CLND-500-12-1	5.107	0.438	0.562	0.265	ILSCO, CLND-500-12-1, 1/2 X 1, 500kcmil, 350/373 FLEX, DIE 87, UL, CSA
CLND-500-12-114	5.482	0.688	0.562	0.265	ILSCO, C-500-12-114, 1/2 X 1-1/4, 500 kcmil, 350/373 FLEX, DIE 87, UL, CSA
CLND-500-12-112	5.607	0.938	0.562	0.265	
CLND-500-12-134	5.982	1.188	0.562	0.265	
CLND-500-12-178	5.982	1.313	0.562	0.265	