
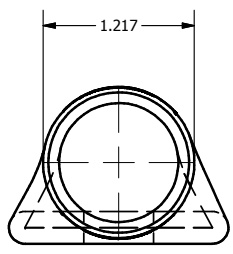
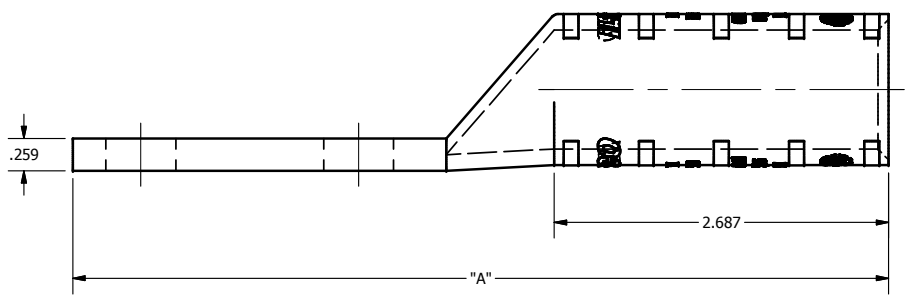
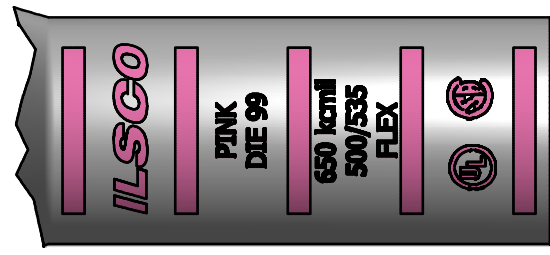
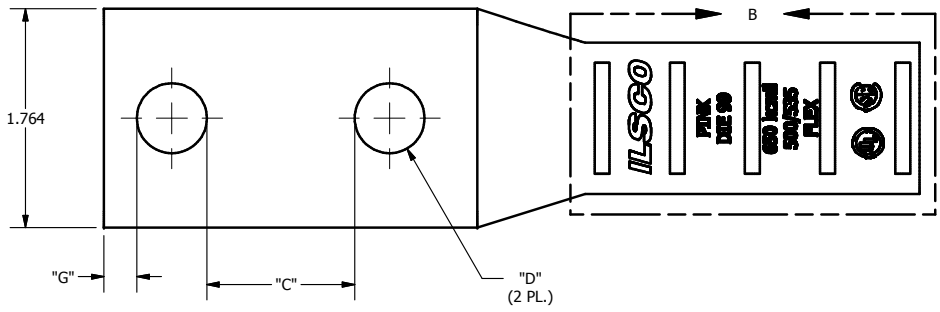


SCREW: NONE	MATERIAL: COPPER	REV: G	 800-776-9775 www.ilSCO.com
CAT. NO.: SEE CHART	PLATING: EL-TIN	DRAWN BY:DW SCALE: NTS	
INFORMATION SHEET:	MARKING: SEE DRAWING	DATE:4/7/2008 SIZE: B	
			DWG NO: Y1703-D
			SHEET: 1 OF 1



Catalog Number	"A"	"C"	"D"	"G"	TANG MARKING
CLND-650-516-1	5.493	0.657	0.343	0.180	
CLND-650-38-1	5.493	0.594	0.406	0.211	ILSCO, CLND-650-38-1, 3/8 X 1, 650 kcmil, 500 / 535 FLEX, DIE 99, UL, CSA
CLND-650-38-118	5.681	0.719	0.406	0.211	
CLND-650-12-114	6.056	0.688	0.562	0.265	ILSCO, CLND-650-12-114, 1/2 X 1 1/4, 650 kcmil, 500/535 FLEX, DIE 99, UL, CSA
CLND-650-12-134	6.556	1.188	0.562	0.265	ILSCO, CLND-650-12-134, 1/2 X 1-3/4, 650 kcmil, 500 /535 FLEX, DIE 99, UL, CSA

THE INFORMATION CONTAINED WITHIN THIS DOCUMENT IS PROPRIETARY TO ILSCO AND MAY NOT BE DISCLOSED WITHOUT PRIOR WRITTEN CONSENT