
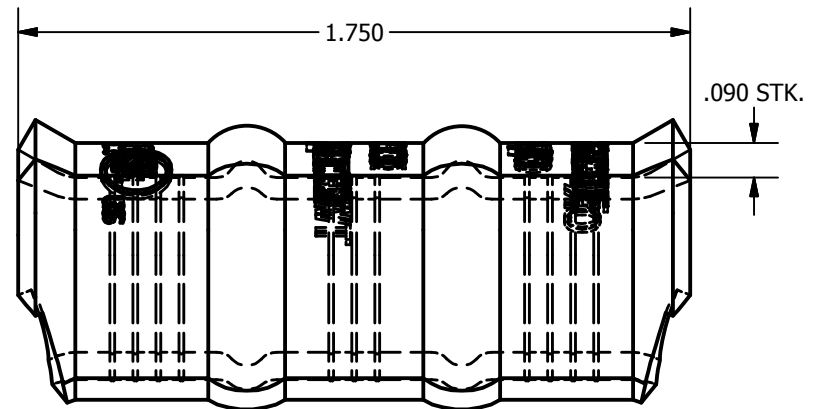
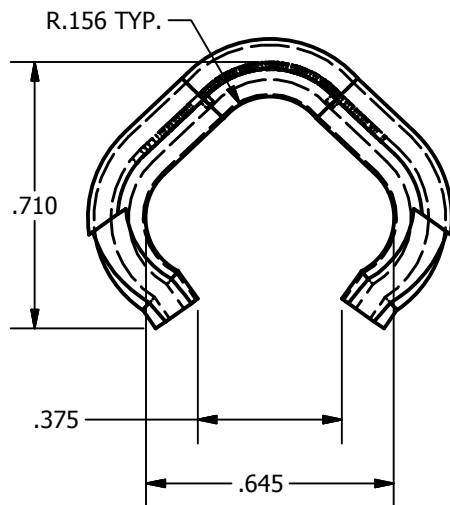
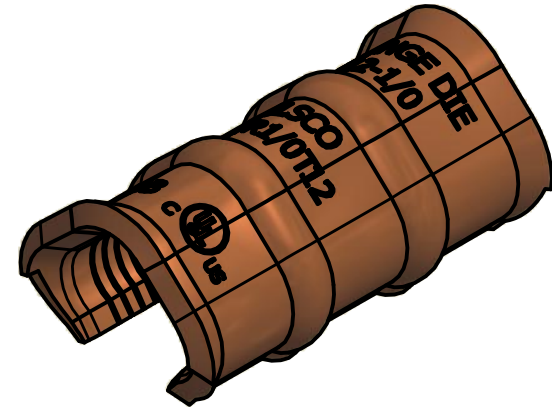


| | | | |
|-----------------------------|---|----------------------------|--|
| SCREW: NONE | MATERIAL: COPPER | REV: J |  800-776-9775 www.ilsco.com |
| CAT. NO.: TWCTR1/0T12 & -TN | PLATING: SEE CHART | DRAWN BY: RGross SCALE:2:1 | |
| INFORMATION SHEET: FORM 208 | MARKING: ORANGE DIE / 12-1/0 / ILSCO / TWCTR1/0T12 DB | DATE:7/28/2014 SIZE: A | |
| | | DWG. NO. | R2385 |
| | | SHEET: 1 OF 1 | |



| | |
|------|------------|
| DEV | PLATING |
| COOB | BRIGHT DIP |
| COOT | EL-TIN |