
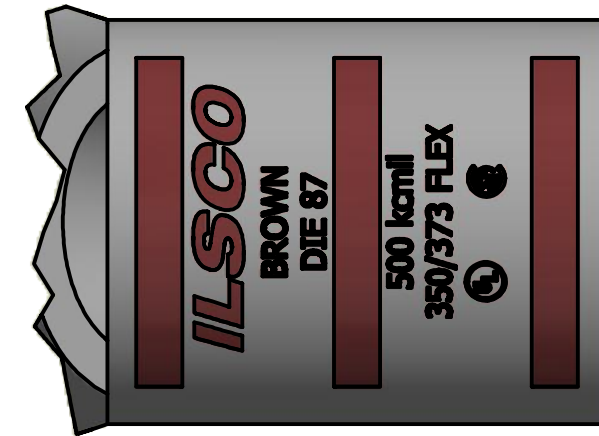
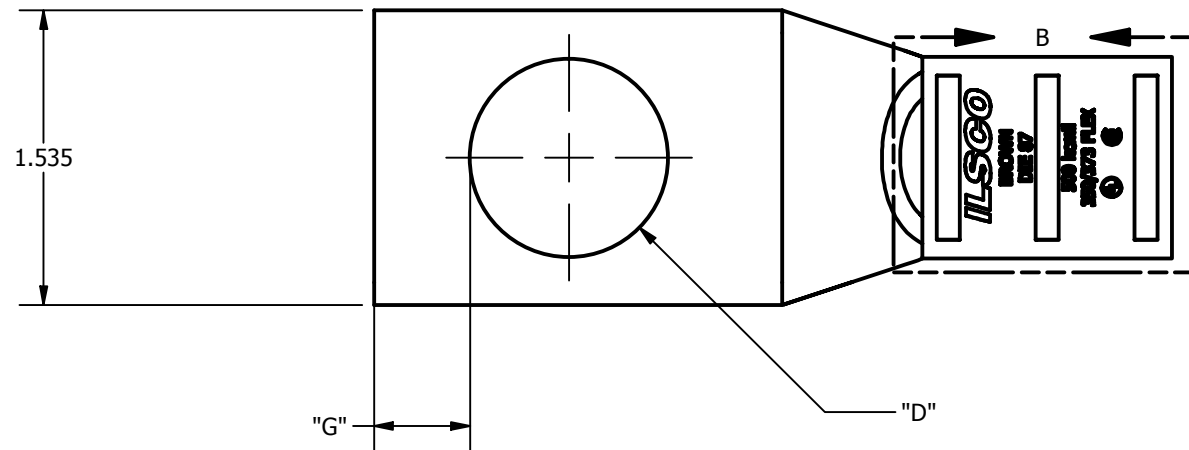
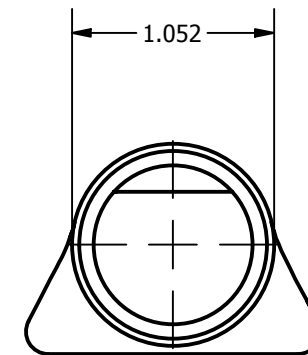
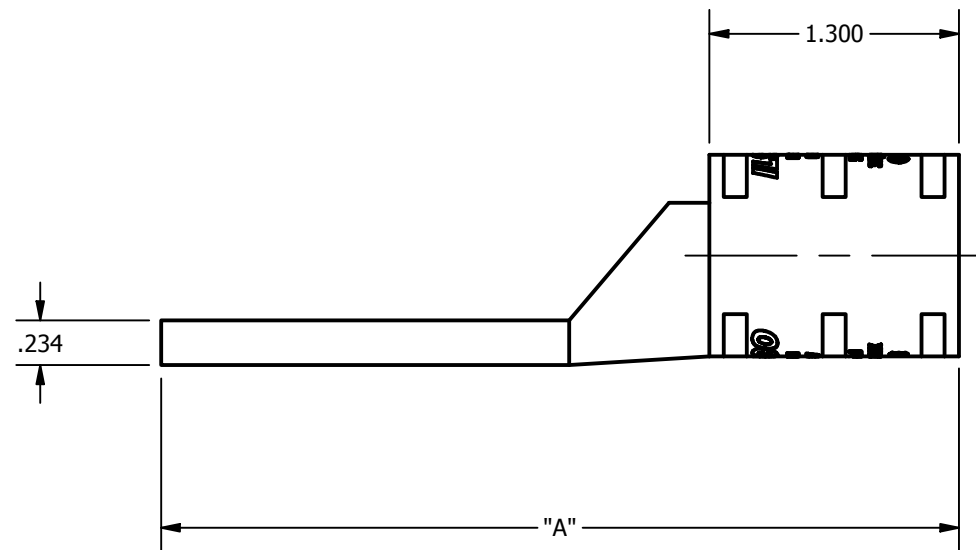


SCREW: NONE	MATERIAL: COPPER	REV: N	 800-776-9775 www.ilSCO.com
CAT. NO.: SEE CHART	PLATING: EL-TIN	DRAWN BY:DW SCALE: NTS	
INFORMATION SHEET:FORM 157	MARKING: SEE BELOW	DATE:7/5/2007 SIZE: B	
		DWG NO: Y1511-S	SHEET: 1 OF 1



DETAIL B
TOP AND BOTTOM INK MARKINGS ARE IDENTICAL
INK COLOR: BROWN



Catalog Number	"A"	"D"	"G"	TANG MARKING
CSWS-500-14	2.907	0.281	0.180	ILSCO, CSWS-500-14, 1/4, 500 kcmil, 350/373 FLEX, DIE 87, UL, CSA
CSWS-500-516	2.907	0.343	0.180	ILSCO, CSWS-500-516, 5/16, 500 kcmil, 350/373 FLEX, DIE 87, UL, CSA
CSWS-500-38	2.907	0.406	0.211	ILSCO, CSWS-500-38, DIE 87, 500 kcmil, 350/373 FLEX, UL, CSA
CSWS-500-12	3.282	0.562	0.265	ILSCO, CSWS-500-12, 1/2, 500 kcmil, 350/373 FLEX, DIE 87, UL, CSA
CSWS-500-58	3.469	0.656	0.343	ILSCO, CSWS-500-58, DIE 87, 500 kcmil, 350/373 FLEX, UL, CSA
CSWS-500-34	3.719	0.781	0.359	ILSCO, CSWS-500-34, 500kcmil, 350/373 FLEX, DIE 87, UL, CSA
CSWS-500-78	3.969	0.906	0.437	ILSCO, CSWS-500-78, 7/8, 500kcmil, 350/373 FLEX, DIE 87, UL, CSA
CSWS-500-1	4.157	1.031	0.500	