
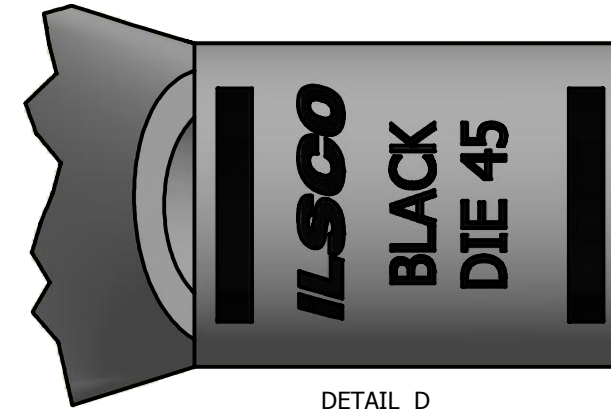
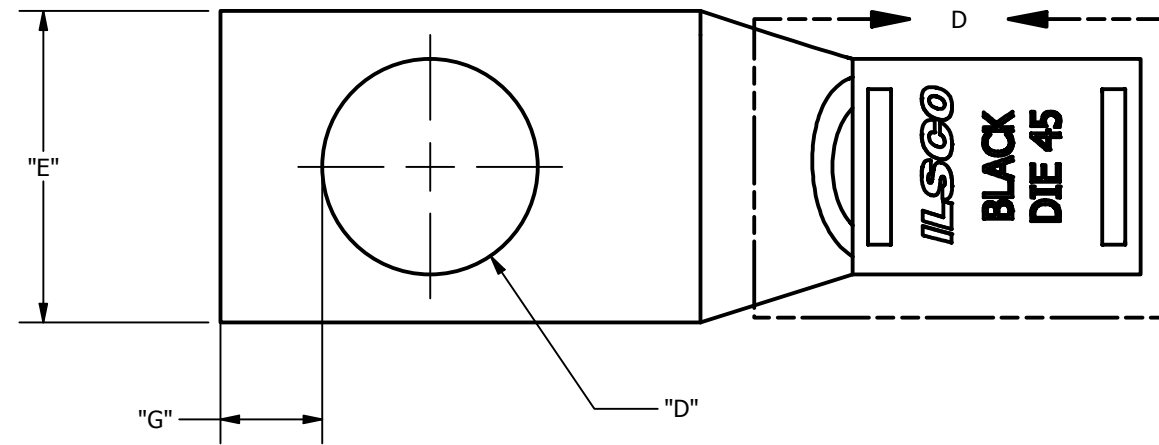


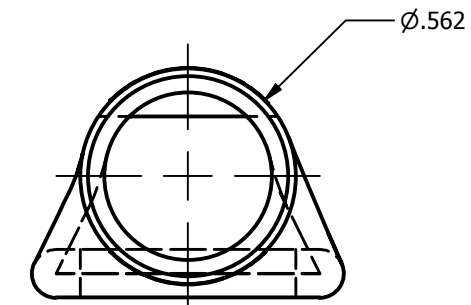
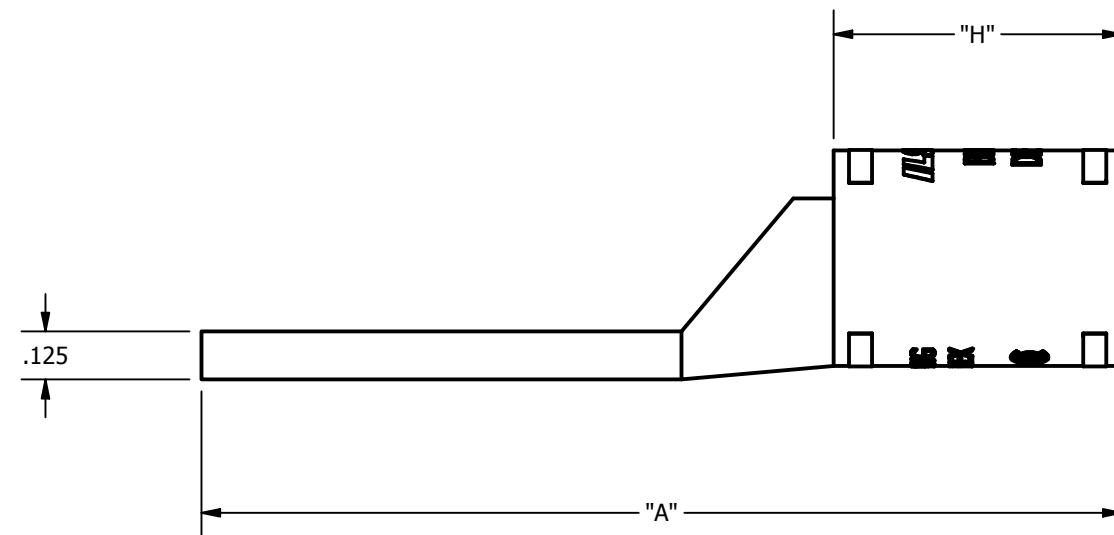
SCREW: NONE	MATERIAL: COPPER	REV: 0	 800-776-9775 www.ilSCO.com
CAT. NO.: SEE CHART	PLATING: EL-TIN	DRAWN BY: DW SCALE: 2:1	
INFORMATION SHEET: FORM 157	MARKING: SEE CHART	DATE: 7/19/2007 SIZE: B	
			DWG NO: Y0811-S
			SHEET: 1 OF 1



DETAIL D
TOP INK MARKING



DETAIL E
BOTTOM INK MARKING



CATALOG NUMBER	"A"	"C"	"D"	"E"	"G"	"H"	TANG MARKING
CSWS-2/0-10	1.708	0.000	0.219	0.811	0.148	.750	ILSCO, CSWS-2/0-10, 2/0 AWG, 1/0 FLEX, DIE 45, UL, CSA
CSWS-2/0-14	2.021	0.000	0.281	0.811	0.180	.750	ILSCO, DIE 45, CSWS-2/0-14, 2/0 AWG, 1/0 FLEX, UL, CSA
CSWS-2/0-516	2.121	0.000	0.343	0.811	0.180	.850	ILSCO, CSWS-2/0-516, 2/0 AWG, 1/0 FLEX, DIE 45, UL, CSA
CSWS-2/0-38	2.121	0.000	0.406	0.811	0.211	.850	ILSCO, CSWS-2/0-38, 2/0 AWG, 1/0 FLEX, DIE 45, UL, CSA
CSWS-2/0-12	2.396	0.000	0.562	0.811	0.265	.750	ILSCO, CSWS-2/0-12, 2/0 AWG, 1/0 FLEX, DIE 45, UL, CSA
CSWS-2/0-58	2.583	0.000	0.656	0.811	0.343	.750	ILSCO, CSWS-2/0-58, 2/0 AWG, 1/0 FLEX, DIE 45, UL, CSA
CSWS-2/0-34	2.833	0.000	0.781	0.969	0.359	.750	ILSCO, CSWS-2/0-34, DIE 45, 2/0 AWG, 1/0 FLEX, UL, CSA